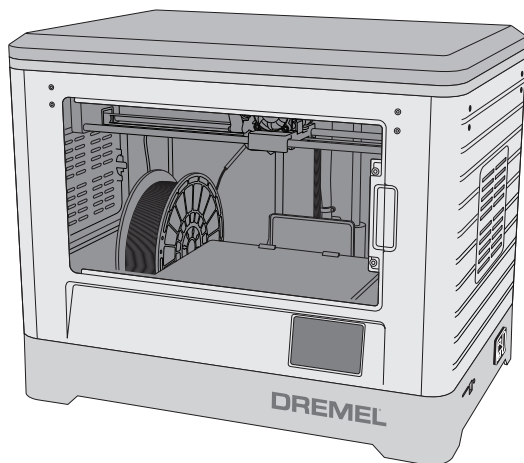


DREMEL® 3D20



EN	Original instructions	2
DE	Übersetzung der Originalbedienungsanleitung	27
FR	Traduction de la notice originale	54

Dremel
The Netherlands

GENERAL SAFETY WARNINGS

**WARNING**

READ ALL INSTRUCTIONS IN THIS MANUAL AND FAMILIARIZE YOURSELF WITH THE DREMEL 3D20 BEFORE SETUP AND USE. FAILURE TO COMPLY WITH THE WARNINGS AND INSTRUCTIONS MAY RESULT IN FIRE, EQUIPMENT DAMAGE, PROPERTY DAMAGE, OR PERSONAL INJURY. SAVE ALL WARNINGS AND INSTRUCTIONS FOR FUTURE REFERENCE

WORK AREA SAFETY

- a. **Keep work area clean and well lit.** *Cluttered or dark areas invite accidents.*
- b. **Do not operate Dremel 3D20 in the presence of flammable liquids, gases or dust.** *Dremel 3D20 creates high temperatures which may ignite the dust or fumes.*
- c. **Store idle 3D20s out of reach of children and other untrained persons.** *Injury can occur in hands of untrained users.*

ELECTRICAL SAFETY

- a. **Always use the Dremel 3D20 with a properly grounded outlet. Do not modify Dremel 3D20 plug.** *Improper grounding and modified plugs increase risk of electric shock.*
- b. **Do not use Dremel 3D20 in damp or wet locations. Do not expose Dremel 3D20 to rain.** *Presence of moisture increases risk of electric shock.*
- c. **Do not abuse the cord. Never use the cord for pulling or unplugging the Dremel 3D20. Keep cord away from heat, oil, sharp edges or moving parts.** *Damaged or entangled cords increase the risk of electric shock.*
- d. **Avoid using this product during an electric storm.** *There may be a remote risk of a power surge from lightning that may result in electric shock hazard.*
- e. **In case of emergency unplug Dremel 3D20 from outlet.**

PERSONAL SAFETY

- a. **Stay alert, watch what you are doing and use common sense when operating a Dremel 3D20. Do not use Dremel 3D20 while you are tired or under the influence of drugs, alcohol or medication.** *A moment of inattention while operating Dremel 3D20 may result in personal injury.*
- b. **Use personal protective equipment.** *The use of protective equipment such as heat resistant gloves and safety glasses will reduce the risk of personal injuries.*
- c. **Dress properly. Do not wear loose clothing or jewelry. Keep your hair, clothing and gloves away from moving parts.** *Loose clothes, jewelry or long hair can be caught in moving parts.*

DREMEL 3D20 USE AND CARE

- a. **Before every use check Dremel 3D20 for misalignment or binding of moving parts, breakage of parts and any other condition**

that may affect the Dremel 3D20's operation. If damage is suspected have the Dremel 3D20 repaired by authorized Dremel service center before use. *Use of Dremel 3D20 when damaged may result in poor quality of object creation, further equipment damage, property damage or personal injury.*

- b. **Do not touch the extruder tip during Dremel 3D20 operation or until it has cooled down to at least 60°C (140°F).** *Contact with the extruder tip during or after operation before tip has cooled may result in personal injury.*
- c. **Set up the Dremel 3D20 in a well-ventilated area. Provide at least 8 inches of unobstructed spacing around Dremel 3D20.** *Dremel 3D20 melts plastic during building. Plastic odors emitted during Dremel 3D20 operation may irritate eyes and airways. Locating Dremel 3D20 close to surrounding objects prevents proper ventilation.*
- d. **Do not reach inside the Dremel 3D20 while it is in operation.** *Contact with Dremel 3D20 moving parts during operation may result in poor build quality, equipment damage or personal injury.*
- e. **Do not leave the Dremel 3D20 unattended during operation.** *Use of Dremel 3D20 by persons unfamiliar with these warnings and instructions may result equipment or property damage and personal injury.*
- f. **Use only DREMEL PLA filament.** *Use of filament not authorized by Dremel may result in equipment and property damage.*
- g. **Ensure small objects created by Dremel 3D20 are not accessible to young children.** *Small objects are potential choking hazards for young children.*
- h. **Do not create illegal or inappropriate objects using Dremel 3D20.**
- i. **Do not use Dremel 3D20 to create objects intended for use with candles, liquid fuels, and other heat sources.** *Plastic may melt when exposed to fire or other heat sources. Such use of objects created by Dremel 3D20 may result in fire, property damage and personal injury.*
- j. **Do not use Dremel 3D20 to create objects intended for food or drink applications such as preparation, decoration, storage, or consumption.** *Such use of objects created by Dremel 3D20 may result in illness or personal injury.*
- k. **Do not use Dremel 3D20 to create objects intended with use with electrical components or housings of electrical components.** *PLA plastic is not suitable for electrical applications. Such use of objects created by Dremel 3D20 may result in property damage and personal injury.*
- l. **Do not put plastic objects in or around your mouth.** *PLA plastic is not suitable for food or drink preparation and food utensils. Such use of objects created by Dremel 3D20 may result in illness or personal injury.*
- m. **Do not use Dremel 3D20 to create objects intended for chemical storage.** *PLA plastic is not suitable for chemical storage. Such use of objects created by Dremel 3D20 may result in property damage and personal injury.*
- n. **Do not modify Dremel 3D20 or alter factory settings.** *Modifications may result in equipment and property damage, and personal injury.*
- o. **Do not expose Dremel 3D20 to temperatures exceeding 70°C (158°F).** *Dremel 3D20 may become damaged. Dremel 3D20 is intended to operate in temperature between 16-29°C (60 - 85°F).*

- p. Do not move or bump Dremel 3D20 or the extruder during operation. *The object may build incorrectly.*
- q. Do not change color of filament or spool during building. *Doing so will cancel the object and may damage the extruder.*
- r. Do not pull the filament out until instructed by the touch screen. *Doing so may damage the extruder.*
- s. Use extra care not to damage the extruder tip when clearing debris. *Dremel 3D20 will not work properly with damaged extruder tip and will require replacement.*
- t. Before every build make sure that the build platform is covered with Dremel specified build tape. *Use of improper build tape may result in equipment damage and poor object build quality.*
- u. Be aware of your body position when using hand tools to remove objects from the build platform. *Sudden tool slip and improper body position during object removal from the build platform may result in personal injury.*
- v. Avoid scratching the build platform when removing objects. *Scratches in the build platform will result in improper object creation.*
- w. Dremel is not responsible for structural integrity or utility of objects created using Dremel 3D20. *Structural models created by inexperienced designers may result in property damage and personal injury.*

SERVICE



- a. Always unplug Dremel 3D20 from its power before performing any service procedures. *Failure to do so may result in personal injury and equipment damage.*
- b. Have your Dremel 3D20 serviced only by an authorized Dremel service center using only Dremel replacement parts. *This will ensure that proper operation and safety of Dremel 3D20 is maintained.*
- c. Use only Dremel approved materials and components. *Use of object materials, or 3D objects other than Dremel® approved object materials and genuine Dremel® components may void warranty.*

TABLE OF CONTENTS

General safety warnings	2
Table of contents.....	3
Used symbols	3
Information on Intellectual Property	3
Functional Description and Specifications	4
3D20 Resources	5
Glossary of Terms	5
Getting to know your 3D20	7
Introduction.....	9
Kit Contents and Unpacking.....	9
Touch Screen.....	11
Software Install and Registration.....	16
Dremel Software Overview.....	17
Getting Ready to Build.....	19
Building	21
Building from the SD Card.....	21

Building From Your Computer.....	22
Removing Your Object.....	22
Unloading and Replacing Filament Spool.....	23
Maintenance and Service	24
Unclogging the extruder	25
Cleaning the exterior	25
Cleaning the extruder tip	25
Cleaning the touch screen.....	25
Best practices.....	25
Dremel® Consumer Limited Warranty.....	26

USED SYMBOLS

Symbol	Name	Designation/ Explanation
	WARNING	Warning symbol Alerts user to warning messages
	Read manual symbol	Alerts user to read manual

WARNING THIS IS A CLASS A PRODUCT. IN A DOMESTIC ENVIRONMENT THIS PRODUCT MAY CAUSE RADIO INTERFERENCE IN WHICH CASE THE USER MAY BE REQUIRED TO TAKE ADEQUATE MEASURES.

INFORMATION ON INTELLECTUAL PROPERTY

The Dremel 3D20 is intended for 3D printing objects from digital files that you create or own, or have the right to print using the Dremel 3D20. When making objects using the Dremel 3D20, it is your responsibility to ensure that you do not infringe any third party intellectual property rights or violate any applicable laws or regulations, such as U.S. or foreign intellectual property laws. The Dremel 3D20 may not be used to make objects protected by intellectual property rights owned by third parties without such third parties' permission. Using the Dremel 3D20 to do any of the following may require the permission of third parties: to make a duplicate or facsimile (in whole or in part) of any object not created by you, to make an object from a digital file you do not own, or to make an object from a scan of a physical object that you did not create. It is your responsibility to obtain such permission. In some cases, you may not be able to obtain such permission. Where such permission cannot be obtained, you should not 3D print such object, or you do so at your own risk. You may not modify, reverse engineer, decompile, or disassemble the Dremel 3D20 or its software or firmware, except as permitted by applicable law. If you use the Dremel 3D20 in any way other than as recommended and described in these Operating/Safety Instructions, you do so at your own risk. Using the Dremel 3D20 to make objects that infringe any intellectual property rights owned by third parties could result in civil or criminal prosecution and penalties, and you could be liable for money damages, fines, or imprisonment.

This product may contain or discharge chemicals known to the State of California to cause cancer and birth defects or other reproductive harm.

FUNCTIONAL DESCRIPTION AND SPECIFICATIONS

BUILDING

Extruder: Single extrusion
Extruder temperature: Up to 230°C (397°F)
Operating Interface: 3.5" full color IPS touch screen
Maximum Build Volume: 9" x 5.9" x 5.5"
(230mm x 150mm x 140mm)
Layer Thickness: 4 mil | 0.004 inches 100 microns | 0.10 mm
Filament Colors: See Dremel3D.com for color choices
SD Card: Up to 32GB in size (3D20 will not work with SD cards larger than 32GB)
Internal Storage: 4GB

WEIGHT & DIMENSIONS

Weight (without spool): 8.8kg (19lbs 8oz)
Dimensions: 19.1" x 15.7" x 13.2" (485mm x 400mm x 335mm)

FILAMENT

ONLY works with Dremel PLA filament
Filament: 1.75mm PLA
(Biodegradable/Renewable)

FILAMENT STORAGE

All polymers degrade with time. Do not unpack until filament is needed. Filament should be stored at room temperature: 16-29° C (60-85° F)

SOFTWARE

Dremel 3D20 comes with complimentary Dremel 3D software for Windows and Mac OSX. This application converts your 3D digital files into buildable files.

MINIMUM HARDWARE REQUIREMENTS

A PC with these minimum requirements will be required to run the Dremel® 3D Software
Processor: Multi-core processor - 2 GHz or faster per core
System RAM: 2 GB
Screen Resolution: 1024x768
USB port

WINDOWS REQUIREMENTS

Dremel® Software runs on 32 and 64-bit Operating Systems
Windows Vista or later

MAC OSX REQUIREMENTS

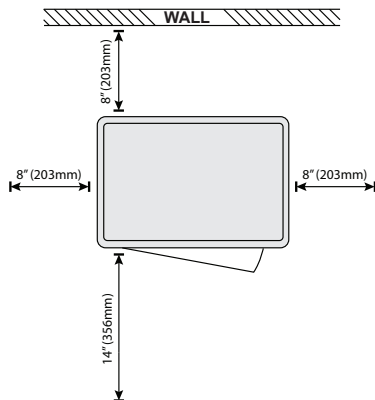
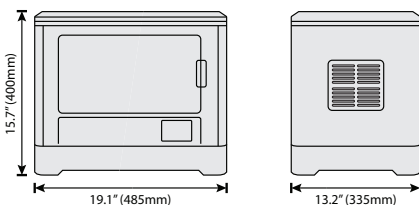
Dremel® Software runs on Mac OSX 10.8 or later

ELECTRICAL REQUIREMENTS

3D20 input rating: 120V, 60Hz, 1.2A

OPERATING ENVIRONMENT

Room Temperature: 16-29° C (60 - 85° F)
Level workspace
Dry workspace environment



3D20 RESOURCES

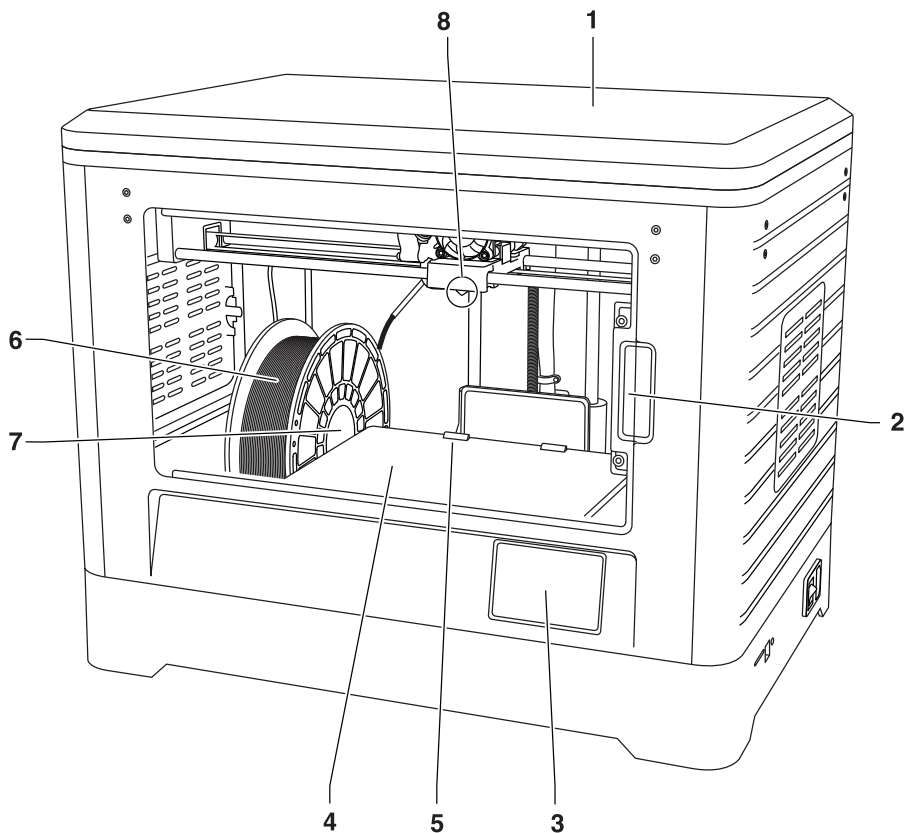
Resource	Description	Location
Quick Start Guide	Provides illustrated walkthrough of how to un-box your 3D20 and start building out of the box.	Printed version of the Quick Start Guide is located in the rectangular component carton. It is also available on www.dremel3d.com
3D20 Website	Provides the latest 3D20 software, product information, and customer support.	www.dremel3d.com
3D20 Customer Support	Contact Dremel for product support, maintenance, and service.	
Dremel 3D20 Software	Allows you to upload, edit, and build 3D files. You can also change device settings and order supplies.	Installed from www.dremel3d.com or from SD card provided with the Dremel 3D20.

GLOSSARY OF TERMS

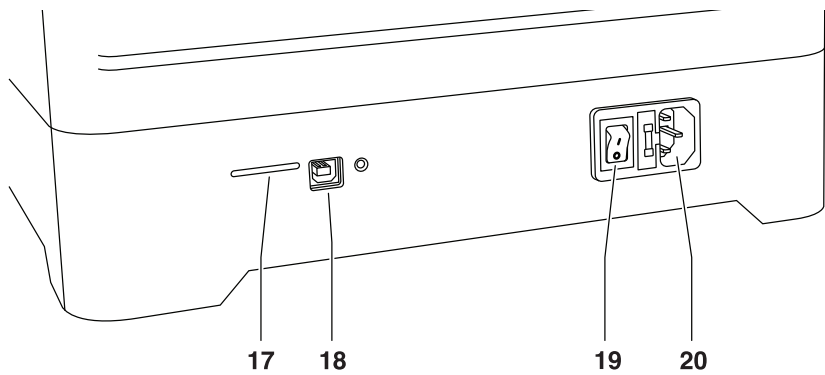
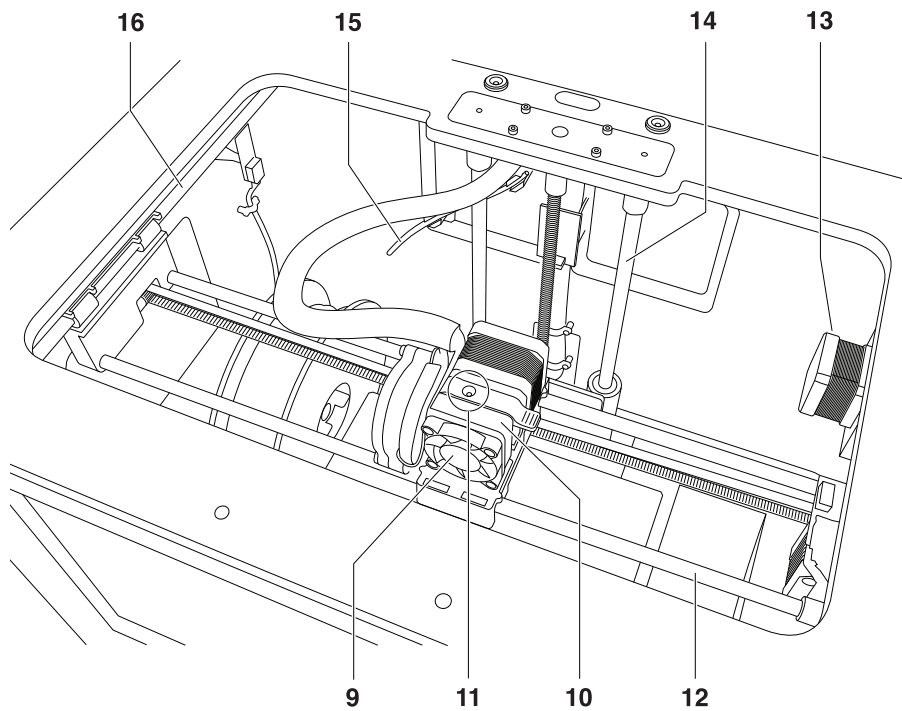
Term	Definition
Build Platform	The flat surface used by your Dremel 3D20 to build objects.
Build Platform Clip	Clip located at the front of the build platform base that is used to secure the build platform in place.
Build Tape	Adhesive tape similar to blue painter's tape that improves the consistency of your objects and helps them stick to the build plate surface.
Build Volume	The three dimensional (3D) amount of space that an object will use once it is completed. Your Dremel 3D20 has a maximum build volume which means that objects with a larger build volume cannot be built unless they are resized or broken objects with a larger build volume cannot be built unless they are resized or broken into sub-objects.
Door	Your Dremel 3D20 has a door located on the front panel. This allows for easy access to the build platform, extruder, filament, and your objects. This door is made with a transparent material so you can monitor the progress of your objects while keeping the build environment stable.
Lid	Your Dremel 3D20 has a removable lid on the top. This allows for more access to the build platform, extruder, filament, and objects when necessary.
Limit Switch	Switch that is activated by the motion of the extruder or build platform when the end of travel is reached.
Extruder	An assembly that uses gears to pull filament through the extruder intake, heat the filament to the build temperature, and push the heated filament out of the extruder tip.
Extruder Fan	A fan used to cool the outer assembly of the extruder and gear motor.
Extruder Intake	An opening located at the top of the extruder where filament is inserted for building.
Extruder Push Lever	A lever located on the side of the extruder that is used to loosen the grip of the extruder gear motor.
Extruder Tip	A nozzle located at the bottom of the extruder where heated filament is forced out for building.
Filament	A threadlike strand of plastic material.
Filament Spool	A cylindrical piece on which a long strand of filament is wound for storage and continuous use.
Filament Guide Tube	A plastic piece that guides the filament from the filament spool through a passage in the outer housing of your Dremel 3D20.
Leveling Knobs	Knobs located under the build platform base that are used to create proper spacing between the extruder tip and the build platform.

Leveling Tool	Calibrated leveling pad with detailed markings and directions for use.
PLA	A bioplastic derived from renewable resources such as corn starch.
Needle Nose Pliers	Common tool used to hold small objects and to grab excess material that may be too hot to touch directly.
Object Removal Tool	A tool used to separate your objects from the build platform.
SD Card	A portable memory card used on a wide array of devices such as cameras.
Spool Holder	A plastic piece located to the left of the build platform inside your Dremel 3D20 build area that is designed to hold a filament spool.
Spool Lock	A plastic piece which locks the filament spool to the spool holder. This piece is inserted through the center of the filament spool, into the spool holder, and turned to lock.
Stepper Motor	A brushless DC electric motor used to drive the guide rails and extruder gears.
.STL File	A common digital file format used in a wide range of 3D model software. This file is created in 3rd party 3D software or downloaded from Dremel3D.com.
.3dremel File	Dremel's digital file format that is used by your Dremel 3D20 to properly process models.
.G3Drem File	A buildable file format compatible with your Dremel 3D20.
Touch Screen	Full color display that is touch activated. It allows you to monitor your Dremel 3D20 and objects while also providing commands directly to your Dremel 3D20 without the use of a computer.
Unclog Tool	A tool used to clear the extruder of excess debris.
X-Axis Guide Rails	A set of rails on either side of the extruder that allow a stepper motor to move the extruder to the left or right side of the build area.
Y-Axis Guide Rails	A set of rails on either side of the build area that allow a stepper motor to move the extruder to the front or back of the build area.
Z-Axis Guide Rails	A set of rails located at the back of the build area that allow a stepper motor to move the build platform up or down.

GETTING TO KNOW YOUR 3D20



- | | |
|-------------------------------|----------------------------|
| 1. Lid | 11. Extruder Entry |
| 2. Door | 12. X-Axis Guide Rails |
| 3. Touch Screen | 13. Stepper motor (1 of 3) |
| 4. Build Platform | 14. Z-Axis Guide rail |
| 5. Build Platform Clips | 15. Filament Guide Tube |
| 6. Filament Spool | 16. Y-Axis Guide Rails |
| 7. Filament Spool Holder/Lock | 17. Power Input |
| 8. Extruder Tip | 18. Power Switch |
| 9. Extruder Fan | 19. USB Input |
| 10. Extruder | 20. SD card Input |



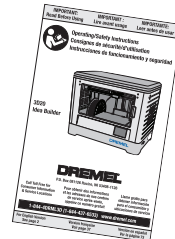
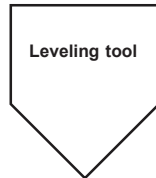
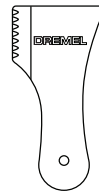
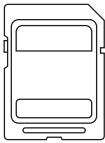
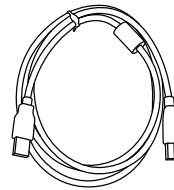
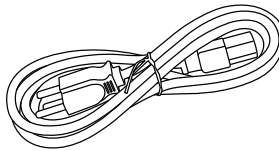
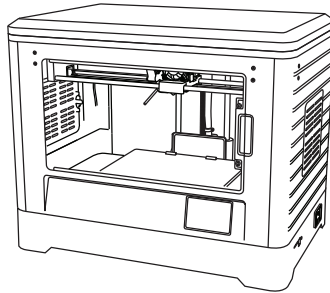
INTRODUCTION

Welcome to the world of Dremel 3D. Our mission is to mentor you through the 3D building process and share best practices for bringing your ideas to life. 3D building is a process that will involve experimentation and persistence. Thankfully, the Dremel experts are here to make your job easier with online tips and live support. Kick-start your success by registering your Dremel 3D20 on Dremel3D.com giving you access to hundreds of high-quality models and innovative projects. With Dremel, you can build on your own ideas, build them better and make them yours.

KIT CONTENTS AND UNPACKING

KIT CONTENTS

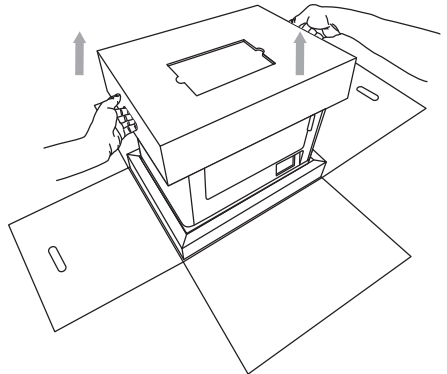
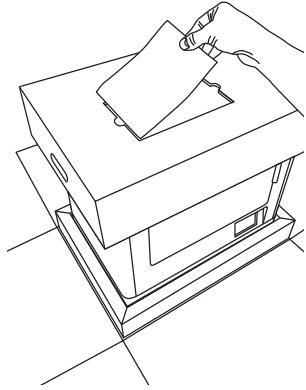
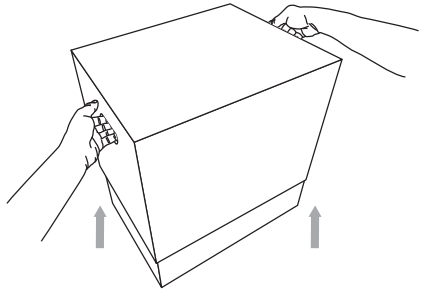
- Dremel 3D20
- 1 Filament Spool (Do not store in moist or hot environment)
- Quick Start Guide
- Instruction Manual
- Power Cable
- USB Cable
- SD Card (Containing Sample Model Files)
- Build Tape
- Object Removal Tool
- Unclog Tool
- Leveling Tool



UNPACKING

1. Place box on table and cut tape.
2. Lift outer box and allow inner box to open.
3. Remove carton lid from top of your Dremel 3D20
4. Rectangular carton on top of your Dremel 3D20 contains product manual, quick-start guide, and set-up pieces. Remove the kit contents located inside.
5. Using a firm grip, lift your Dremel 3D20 out of packaging and place gently on stable work surface.
6. Remove plastic lid from top of your Dremel 3D20.
7. Remove tape from your Dremel 3D20 door.
8. Remove inserts from inside of your Dremel 3D20.

Tip: Keep packaging for future transportation and storage.



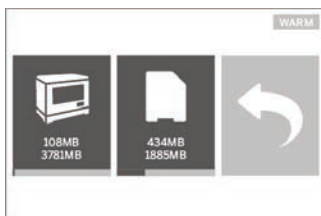
TOUCH SCREEN

Using your Dremel 3D20 without a computer is easy with the onboard software and full color touch screen. Before building your model we want to familiarize you with the touch screen menu structure and options.

WARNING OBSERVE ALL PROVIDED WARNINGS AND SAFETY INSTRUCTIONS WHEN USING THE DREMEL 3D20. FAILURE TO DO SO MAY RESULT IN FIRE, EQUIPMENT DAMAGE, PROPERTY DAMAGE OR PERSONAL INJURY.



BUILD



Select a model file from your Dremel 3D20's onboard memory by tapping the Dremel 3D20 icon or select a model file from SD card by tapping the SD card icon.



After a model is selected, a pop-up window will appear on the touch screen with the following options:



BUILD

Tapping this option will begin the building process while displaying useful information and object status.

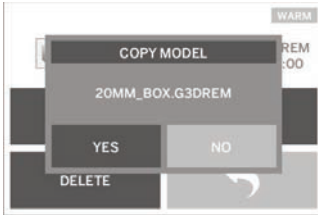


STOP – Tapping this option will cancel the object.
You will be asked whether to cancel building or continue building.
PAUSE – Tapping this option will pause the building process. This will allow you to access the “Tools” menu to unload or load filament.
PLAY – Tapping this option will exit the pause mode and resume building your object.



COPY

Tapping this option will allow you to copy a model file from an SD card to your Dremel 3D20 onboard memory. You cannot copy a model file from your Dremel 3D20 to an SD card.



COPY MODEL

Tapping this option will confirm your decision to copy your model file from your Dremel 3D20's onboard memory or an SD card.



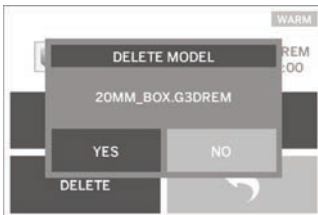
COPY MODEL SUCCESSFUL

A pop-up alert notifying you that the model file has been successfully copied.



DELETE

Tapping this button to permanently delete the selected model file from the onboard Dremel 3D20 memory drive or an SD card.



DELETE MODEL

A pop-up will ask you to confirm that you want to permanently delete a model file from your Dremel 3D20's onboard memory or an SD card.

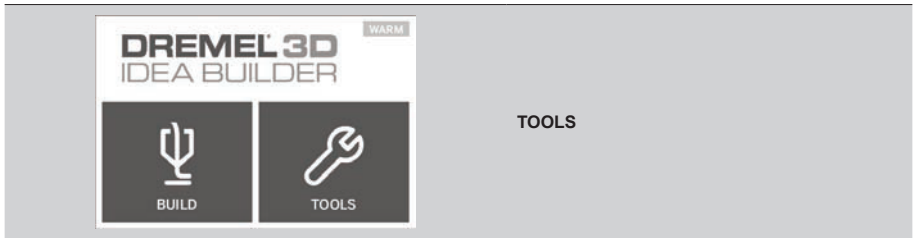


DELETE MODEL SUCCESSFUL

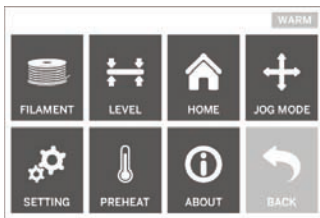
A pop-up alert notifying you that the model file has been successfully deleted.



RETURN
Return to previous menu.



TOOLS



FILAMENT

Load – Tapping this option will instruct your Dremel 3D20 to begin heating the extruder for loading filament (see page 19 for instructions on loading filament). The touch screen will display a status bar and will let you know when it is time to load the filament.

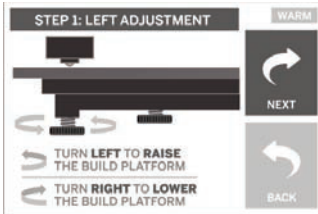
Unload - Tapping this option will instruct your Dremel 3D20 to begin heating the extruder for unloading filament (see page 23 for instructions on unloading filament). The touch screen will display a status bar and will let you know when it is time to unload the filament.





LEVEL

Tapping this option will begin the build platform leveling process (see page 20 for instructions on leveling the build platform). The touch screen will display instructions on how to level the build platform.



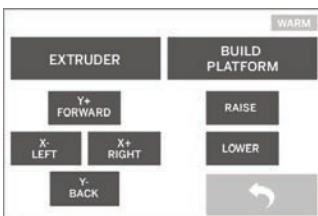
HOME

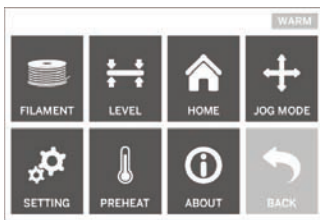
Tapping this option moves the extruder and build platform to the zero position.



JOG MODE

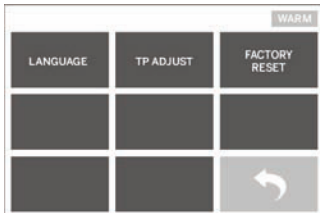
Tapping this option will display the options for positioning the extruder and build platform along the X-axis, Y-Axis, and Z-axis.





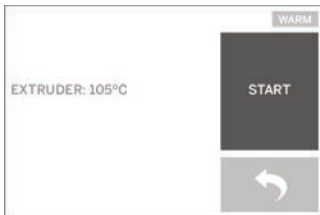
SETTING

Tapping this option will allow you to change the manufacturer settings for language or revert back to manufacturer settings.



PREHEAT

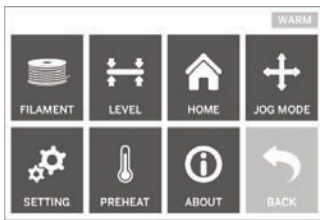
Tapping this option will begin preheating the extruder for building or excess debris removal. The touch screen will display the approximate extruder temperature. You can use the touch screen to START or STOP the preheating process at any time.



ABOUT

Tapping this option will display your Dremel 3D20 serial number, current firmware version, usage (hours), and the Dremel 3D20 status.





RETURN

Return to previous menu.

SOFTWARE INSTALL AND REGISTRATION

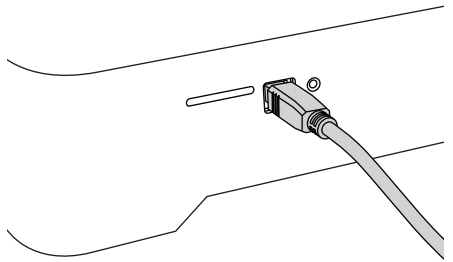
Creating an account on Dremel3D.com is easy and gives you access to all of the great designs and collections that will drive and inspire your creativity.

INSTALLING SOFTWARE FROM DREMEL3D.COM

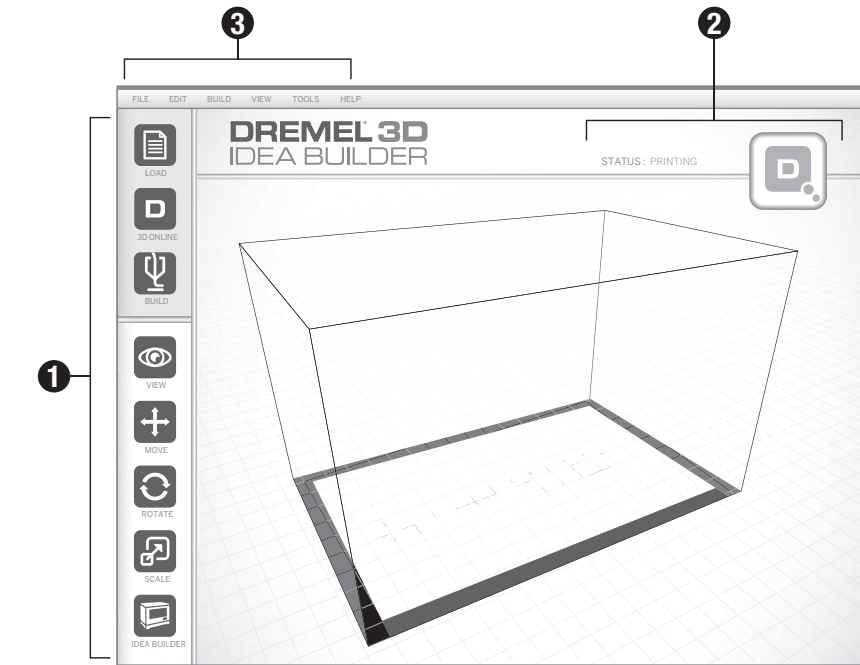
1. Go to Dremel3D.com.
2. From a PC: Download and install software onto your PC.
 - a. Download the Dremel 3D software from Dremel3D.com.
 - b. Click on Dremel 3D_(version number).exe in the folder location that you downloaded the file. The install wizard will open.
 - c. Follow the prompts in the install wizard to load the software on your computer.
3. From a MAC: Download and install software onto your MAC.
 - a. Click Downloads and select Dremel 3D software. Double click on the zip file and the Dremel 3D INSTALLER.DMG will appear.
 - b. Double click on Dremel 3D INSTALLER.DMG to make a new window open. Drag the install file to the APPLICATIONS folder.
 - c. If the "Drag to Install" window did not open, locate the Dremel 3D driver in you device panel. Click on Dremel 3D to download software.
NOTE: Safari users will not have to unzip the INSTALLER.DMG file.
 - d. Click NEXT to launch the setup wizard. The Dremel 3D software setup wizard will guide you through the steps to install the software on your computer. Click NEXT to launch the setup wizard.
4. Create Dremel maker account on Dremel3D.com to begin downloading Dremel 3D20 models.

CONNECTING USB CABLE

1. Ensure power switch is in the off position.
2. Plug your Dremel 3D20 into the computer with the USB cable.
3. Open software.
4. Turn your Dremel 3D20 on using the power switch to sync your computer to your Dremel 3D20.



DREMEL SOFTWARE OVERVIEW



TOOLBAR ICONS

The toolbar icons in the Dremel 3D Software lets you load, share, build, view, move, rotate, and scale your objects.

Load – Click on “Load” and select a file from the model files downloaded from Dremel3D.com. The model that you selected will appear on the Dremel 3D20 home screen. The software’s home screen is a simulation of your Dremel 3D20’s build platform.

3D Store – Clicking on “3D Store” will connect you to Dremel3D.com with your default internet browser.

Build – Dremel 3D Software gives you the ability to select build quality settings. This allows you to customize both the build quality and build time.

- Export Option** – Saves your model file to local drive or portable memory drive for building later.
- Resolution Options** – Models set to Standard resolution will be built using the default settings. “Standard” resolution builds will build quickly and have good surface quality. Models set to “Fast” resolution will be built with thicker layers and will build faster. Models set to “Detailed” resolution will have finer layers and will build more slowly.
- Support** – Select this checkbox to have your object built with support structures. Dremel 3D20 software will automatically generate supports for any overhanging sections of your object. Supports will be easily removable once your finished object is removed from the build platform.

View – Changes your view of the Dremel 3D20 home

screen to one of six viewing angles.

TIP: You can view the Dremel 3D20 home screen from any angle by holding the right click button of your mouse and moving the mouse. You can also use your mouse wheel to zoom in and out.

Move – Change your object location on the build platform using X, Y, and Z axis positioning. You can also center your object in the build area and ensure that your object is located on the platform. You can choose to enter a custom axis position value.

X	Moves the model to the left or right side of the build area.
Y	Moves the model to the front or back side of the build area.
Z	Moves the model up and down in relation to the build platform.

- On Platform** – Places the model onto the build platform.
- Center** – Centers the model on the 3D build area.
- Reset** – Resets the model position to the original position.

Rotate – Changes the orientation of your object on the build platform using X, Y, and Z axis positioning. You can choose to rotate your object +/- 90 degrees or enter a custom axis position value. You can reset the model to the original orientation.

Scale – Change the size of your object on the build platform using X, Y, and Z positioning. You can choose

to enter a custom scale value in X,Y, and Z. You can also increase the size of your object by a percentage of its original design.

X	Rotates the model towards or away from the front of the build area.
Y	Rotates the model towards the left or right side of the build area.
Z	Rotates the model clockwise or counterclockwise in the build area.

- a. **Maximize** - Uniformly scale the model to the largest size possible for building.
- b. **Reset** – Undo all scale changes. Model reverts back to original size.

TIP: If your object was designed in mm (Imperial Units), you can convert to mm (metric) units by increasing your object by 2540%.

Idea Builder – Check the status of your Dremel 3D20. As long as your Dremel 3D20 is connected to your computer you can see whether your Dremel 3D20 is ready to build or currently building an object. You can also see the temperature of your extruder.

BUILD STATUS

Dremel 3D software continuously provides you with the status of your Dremel 3D20.

- a. The top panel displays the current status of both your Dremel 3D20 and your object.
- b. The status circle located in the top right corner provides a graphical representation of your progress.

MENUS

File Menu

- a. **Load File** – Select this option to load a model file (.STL or .3dremel) from your computer or external storage device connected to your computer. Once you have loaded the model file you can begin editing the file as desired.

NOTE: You cannot load a model file to your computer from an SD card connected to your Dremel 3D20. SD card must be connected directly to your computer.

- b. **Save Build Platform** – Saves all of the objects and layout of the current build platform to a .3dremel file. Select this option to save a model file to your computer or external storage device connected to your computer.

NOTE: You cannot save a model file to an SD card connected to your Dremel 3D20. SD card must be connected directly to your computer.

- c. **Save as...** - Saves current build platform with new name. This will not overwrite the original .3dremel file.
- d. **Examples** – Select this option to view a list of free model files that are included with your Dremel 3D software. These model files are excellent test objects to ensure your Dremel 3D20 is working properly.
- e. **Recent Files** – Select this option to view a list of recently viewed model files.
- f. **Preferences** – Select this option to set the

language of your Dremel 3D software and change the automatic update setting.

- g. **Quit** – To close the Dremel 3D software, click on the “X” in the upper right corner. If you have a model file open the software will ask you if you want to save your model file before closing.

Edit Menu

- a. **Undo** – Select this option to undo the most recent edit you made to your model file. Selecting this option multiple times will continue to undo edits in reverse order in which they were performed.
- b. **Redo** – Select this option to redo the most recent edit you have undone to your model file. Selecting this option multiple times will continue to redo edits in reverse order in which they were removed.
- c. **Select All** – Select this option to select all of the model files that you have loaded to the 3D Build Home Screen.
- d. **Duplicate** – Select this option to duplicate a selected model file.
- e. **Delete** – Select this option to delete a selected model file.

Build Menu

NOTE: The power to your Dremel 3D20 must be turned on for your Dremel 3D20 to be recognized.

- a. **Disconnect** – Select this option to disconnect your Dremel 3D20 from your computer.
- b. **Build** – Select this option to convert your work to a buildable file. You will be asked to save your model in a .3dremel file format so that your Dremel 3D20 can begin building.

View Menu

- a. Change your view of the 3D Build home screen to one of seven viewing angles.
- b. **Show Model Outline** – This view will highlight the outer surfaces of your model file to improve viewing of your model.
- c. **Show Steep Overhang** – This view will highlight areas of your object that have steep angles that may require supports.

Tools Menu

- a. **Control Panel** – Select this option for manual diagnostics of your Dremel 3D20. Your Dremel 3D20 must be connected to your computer to view this menu.
- b. **Update Firmware** – Allows you to update your Dremel 3D20 with the latest firmware. To update the Dremel 3D20 firmware, connect a USB cord to the computer and Dremel 3D20. Click the latest version of the firmware and choose upload. The firmware will update on the Dremel 3D20. After the firmware has successfully updated, you need to reboot (turn off and back on) the machine.

Note: Firmware updates will be automatically downloaded when the Dremel 3D software is started. You will be informed that a new version of the firmware is available.

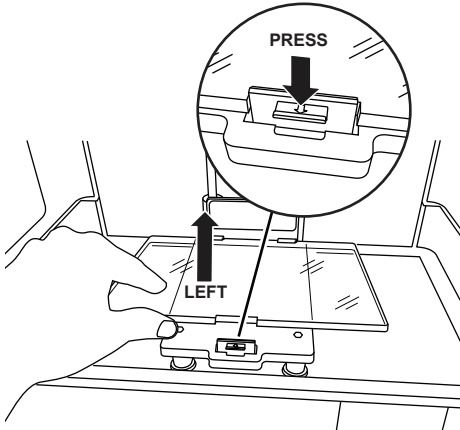
Help Menu

- a. **Help Contents** – Select this option to be directed to www.Dremel3D.com help and support contents.
- b. **Check for Update** – Select this option to manually check for Firmware and Software updates.
- c. **About** – Select this option to review the current software version you are running for Dremel 3D.

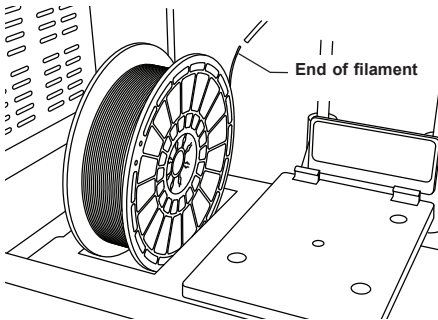
GETTING READY TO BUILD

⚠ WARNING OBSERVE ALL PROVIDED WARNINGS AND SAFETY INSTRUCTIONS WHEN USING THE DREMEL 3D20. FAILURE TO DO SO MAY RESULT IN FIRE, EQUIPMENT DAMAGE, PROPERTY DAMAGE OR PERSONAL INJURY.

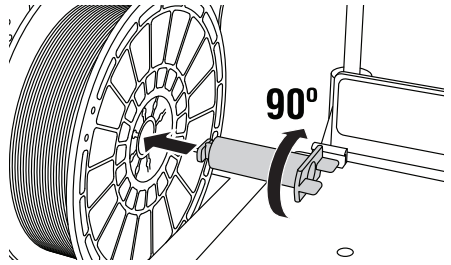
1. Ensure the power switch is in the off position.
2. Remove the Dremel 3D20 lid for better access to extruder and build platform.
3. If build platform is installed, remove by pinching the clamp located at the front of the build platform and lifting the build platform off the base.



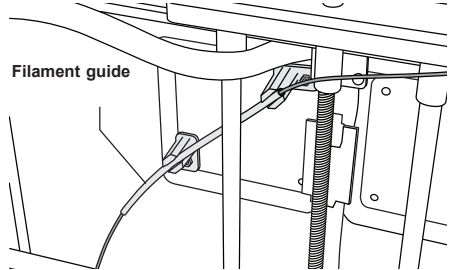
4. Mount filament spool to spool holder and secure with spool lock.
 - a. Place filament spool onto spool holder with spool being fed from the bottom towards the back of the Dremel 3D20.



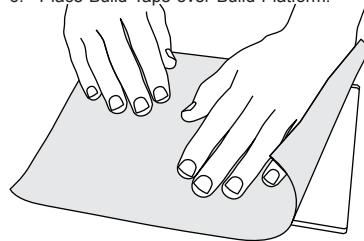
- b. Insert spool lock into spool holder and rotate 90 degrees to lock in place.



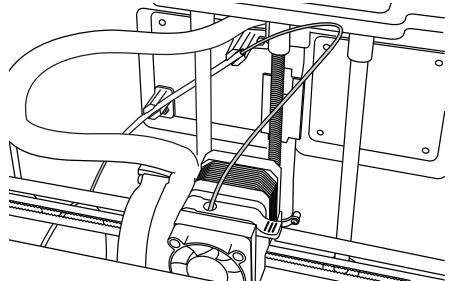
5. Thread filament through filament guide tube. The filament can then be inserted into the extruder intake (Manual Image 8-10). This will ensure the extruder experiences minimal resistance while building.



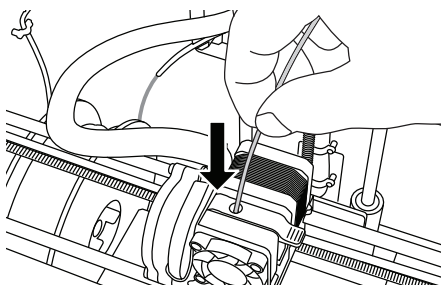
6. Place Build Tape over Build Platform.



7. Install the build platform using the build platform clip to secure.
8. Plug power cord into outlet and turn on Power Switch (Dremel 3D20 will take approximately 30 seconds to properly warm up).
9. Tap "Tools" on your Dremel 3D20's touch screen then tap "Filament", then tap "Load Filament".
10. Insert the filament coming from the filament guide tube into the extruder intake (top). Tap "Next".



- Your Dremel 3D20 will begin to heat the extruder. The Dremel 3D20 touch screen display will update you when extruder is "HOT" and ready to load.
- Once your Dremel 3D20 is ready to begin extruding, gently guide the filament into the extruder until it feeds through on its own.



⚠ WARNING DO NOT TOUCH THE EXTRUDER TIP DURING DREMEL 3D20 OPERATION OR UNTIL IT HAS COOLED DOWN TO AT LEAST 60°C (140°F). CONTACT WITH THE EXTRUDER TIP DURING OR AFTER OPERATION BEFORE TIP HAS COOLED MAY RESULT IN PERSONAL INJURY.

- Filament will then be drawn into the extruder and begin to exit from the heated tip at the bottom of the extruder. After the filament has extruded from the heated tip, press the return arrow to complete the loading process. Carefully remove excess filament without touching the hot extruder tip.

NOTE: Your Dremel 3D20 was tested by building objects before leaving the factory. These test objects may have been made with a different filament color than you are using. Therefore, a small amount of filament may be remaining in the extruder. When loading filament for the first time make sure to allow filament to exit the extruder until your filament color is consistently visible.

CAUTION: Use extra care to not damage the extruder tip when clearing debris. Dremel 3D20 will not work properly with damaged extruder tip and will require replacement.

- After filament has been loaded, ensure the extruder tip is clear of any debris. Carefully remove debris with needle nose pliers to ensure the extruder tip is clean.
- If filament does not get pulled into the extruder or does not come out of the extruder tip, tap "Cancel". Tap "Setup" then tap "Unload Filament". Once your Dremel 3D20 alerts you it is ready, gently remove the filament from the top of the extruder and repeat the filament installation steps above. Reference troubleshooting section for further advice.

BUILD PLATFORM PREPARATION

⚠ WARNING DO NOT TOUCH THE EXTRUDER TIP DURING DREMEL 3D20 OPERATION OR UNTIL IT HAS COOLED DOWN TO 60°C (140°F). CONTACT WITH THE EXTRUDER TIP DURING OR AFTER OPERATION BEFORE TIP HAS COOLED MAY RESULT IN PERSONAL INJURY.

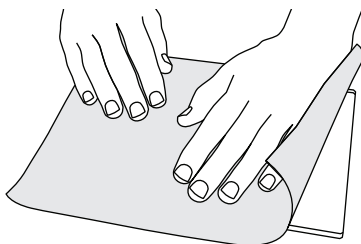
CAUTION: Before every build make sure that the build platform is covered with Dremel specified build tape. Use of improper build tape may result in equipment damage and poor object build quality.

LEVELING BUILD PLATFORM

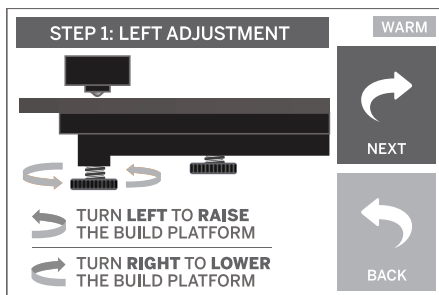
It is important you level the build platform every time you replace the build tape or reinstall the build platform to ensure that the build platform is evenly spaced from the extruder head. Make sure to remove any air bubbles from between the build platform and the build tape. Not leveling the build platform or eliminating air bubbles may cause objects to not build properly.

Wait for the extruder head to cool to at least 60C (140F) before leveling build platform. Extruder temperature can be monitored on the touch screen. (See page 11.)

- Make sure you have placed build tape over the build platform. Applying build tape to the build platform after leveling may effect the consistency of your object.



- Tap "Tools" on your Dremel 3D20's touch screen and tap "Level". (See page 14.)
- The extruder and build platform will move into position to level the build platform. You will first level the front left section of the build platform. The three knobs under build platform are used to raise or lower the build platform on the left, right, and rear of the build platform.



- Place the leveling tool between the extruder and build platform. If the leveling tool cannot slide between the extruder and build platform, adjust the appropriate knob (turning counterclockwise) until you can slide the leveling tool between the extruder and build platform with some resistance. If the leveling tool can slide between the extruder and build platform too easily, adjust the appropriate knob (turning clockwise) until you can slide the leveling tool between the extruder and build platform with some resistance.

TIP: Standard printer paper can also be used to level the build platform in the same manner as the leveling tool.

5. Tap "Next" to move the build platform toward the right knob and repeat step 4 above.
6. Tap "Next" to move the build platform toward the rear knob and repeat step 4 above.
7. Tap "Finish" to complete the leveling process.
8. Repeat steps 1 through 6 above to ensure that build platform is completely level.

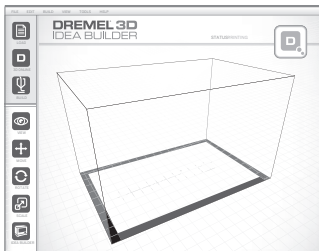
BUILDING

⚠ WARNING OBSERVE ALL PROVIDED WARNINGS AND SAFETY INSTRUCTIONS WHEN USING THE DREMEL 3D20. FAILURE TO DO SO MAY RESULT IN FIRE, EQUIPMENT DAMAGE, PROPERTY DAMAGE OR PERSONAL INJURY.

NOTE: Your Dremel 3D20 will build test objects before leaving the factory. These test objects may have been made with a different filament color than you are using. Therefore, a small amount of filament may be remaining in the extruder. The start of your first object may have some of this filament color until it transitions over to your filament color.

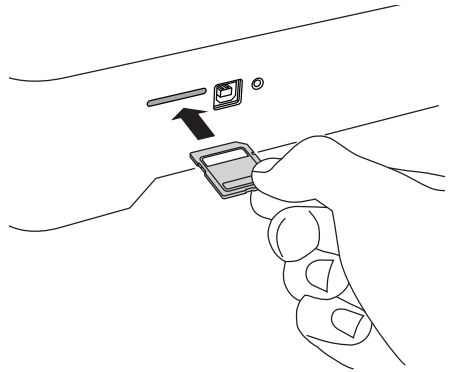
You have 2 options when building on your Dremel 3D20:

1. **SD Card** - Build directly from the SD card. The SD card comes with model files installed at the factory. You can plug this directly into your builder and begin building right away. Additionally, you can save new .G3Drem files to your SD card from the Dremel 3D software.
2. **Computer** - Build directly from your computer through the USB cable.



BUILDING FROM THE SD CARD

1. Insert SD card containing your model into the SD port located on the right side of your Dremel 3D20. Your Dremel 3D20 comes with an SD card containing free model files ready to be built. Additionally, you can save new .G3Drem files to your SD card from the accompanying Dremel 3D software.



2. Ensure an adequate amount of filament is loaded (see page 19).

TIP: You can determine whether you have enough filament to complete your object before building by weighing the filament and spool then subtracting the weight of the empty spool. The Dremel 3D software will display the approximate weight of each model.

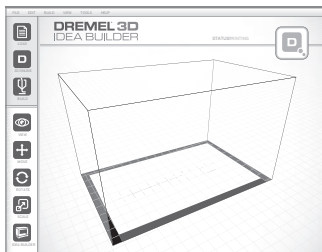
NOTE: You cannot edit model files directly on the Dremel 3D20. Ensure that you are building .G3Drem files when building directly from SD card.

3. Ensure build tape is applied and build platform is leveled (see page 20).
4. Tap "Build" on the touch screen, tap the SD card option, and use the up/down arrows to scroll.
5. Tap on the model file you would like to build.
6. Your Dremel 3D20 will first align the extruder and build platform. Your Dremel 3D20 will then begin the heating process which may take a few minutes. During the heating process, the extruder will reach the temperature required for proper building with PLA. Once this temperature is reached, your model will begin to build.
7. Once the object is finished building, your touch screen will display "Object Finished". Tap the check box to confirm.
8. Wait until the touch screen indicates that the extruder temperature is "COOL" to remove your object. See section for removing your object from the build platform below for object removal instructions.

CANCELLING YOUR OBJECT ON DREMEL 3D20

To cancel your object during warm up or building, tap the "STOP" button on touch screen. The next screen will read, "Cancel build now?" Tap the "Yes" to cancel or tap "No" box to abort the cancel command. Wait until the extruder and build platform completely cools before reaching inside the build area.

BUILDING FROM YOUR COMPUTER



BUILDING DIRECTLY FROM COMPUTER

1. Install Dremel 3D software to your computer. See "Software install and Registration" on page 16 for details. Ensure that you have administrative rights to your computer to properly install the Dremel 3D software.
2. Connect your Dremel 3D20 to your computer with the USB cable supplied with your Dremel 3D20.
3. Ensure an adequate amount of filament is loaded (see page 19).

TIP: You can determine whether you have enough filament to complete your object before building by weighing the filament and spool then subtracting the weight of the empty spool. The Dremel 3D software will display the approximate weight of each model.

4. Prepare build platform (see page 20).
5. Open Dremel 3D Software. Your computer is now connected to your Dremel 3D20.
6. Click on "Load" and select a file from the model files downloaded from Dremel3d.com or approved STL or G3DREM file. The object that you selected will appear on the Dremel 3D software home screen. The Dremel 3D software's home screen is a simulation of your Dremel 3D20's build platform.
7. In the software you can view, move, rotate, and scale your object to ensure that you obtain the optimum results.
8. To prepare your model file, click on "Build" and save your model file. Immediately after you have completed build setup and saved the file, the Dremel 3D software will be preparing your model file.
9. After your model file has been prepared, click "Build" to begin building process.
 - a. If the Dremel 3D software has not already detected your Dremel 3D20, then you will be prompted to select the USB port being used by your Dremel 3D20. Select the correct port and click "OK".
 - b. Click "Rescan" if the USB port your Dremel 3D20 is using is not shown. Repeat step 10-a.
10. Your Dremel 3D20 will first align the extruder and build platform. Your Dremel 3D20 will then begin the heating process which may take a few minutes. During the heating process, the extruder will reach the temperature required for proper building with PLA. Once this temperature is reached, your model will begin to build.
11. Once the object is finished building, your touch screen will display "Object Finished". Tap the check box to confirm.
12. Wait until the touch screen indicates that the

extruder temperature is "COOL" to remove your object. See "Removing your object from the build platform" section below for object removal instructions.

CANCELLING YOUR OBJECT ON DREMEL 3D20

To cancel your object during warm up or building, tap the "STOP" button on touch screen. The next screen will read, "Cancel build now?" Tap the "Yes" to cancel or tap "No" box to abort the cancel command. Wait until the extruder and build platform completely cools before reaching inside the build area.

REMOVING YOUR OBJECT

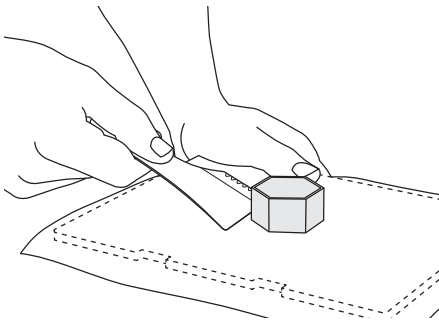
REMOVING YOUR OBJECT FROM THE BUILD PLATFORM

WARNING USE PERSONAL PROTECTIVE EQUIPMENT. THE USE OF PROTECTIVE EQUIPMENT SUCH AS HEAT RESISTANT GLOVES AND SAFETY GLASSES WILL REDUCE PERSONAL INJURIES.

WARNING BE AWARE OF YOUR BODY POSITION WHEN USING HAND TOOLS TO REMOVE OBJECTS FROM THE BUILD PLATFORM. SUDDEN TOOL SLIP AND IMPROPER BODY POSITION DURING OBJECT REMOVAL FROM THE BUILD PLATFORM MAY RESULT IN PERSONAL INJURY.

CAUTION: Avoid scratching the build platform when removing objects. Scratches in the build platform will result in improper object creation.

1. Wait for the extruder to cool before removing your object.
2. With the object still attached, remove build platform from the build area.
3. Peel your object from the build platform. If needed, gently use the object removal tool to remove object from build platform. If desired, remove the build tape from the build platform while separating the object from the build platform. The build tape can then be removed from the object.



REMOVING SUPPORTS (IF REQUIRED)

Use small needle nose pliers to remove supports. In places where the supports are inside your object and are hard to reach.

UNLOADING AND REPLACING FILAMENT SPOOL

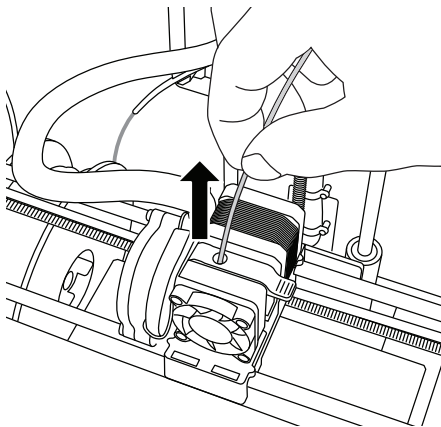
CAUTION: Do not change color of filament or spool during building. Doing so will cancel the object and may damage the extruder.

1. Tap "Setup" on your Dremel 3D20's touch screen then tap "Filament".
2. Tap "Unload".
3. Your Dremel 3D20 will begin to heat the extruder and will play an alert tone when it is ready to unload the filament.

⚠ WARNING DO NOT PULL THE FILAMENT OUT UNTIL INSTRUCTED BY THE TOUCH SCREEN. DOING SO MAY DAMAGE THE EXTRUDER.

⚠ WARNING DO NOT TOUCH THE EXTRUDER TIP DURING DREMEL 3D20 OPERATION OR UNTIL IT HAS COOLED DOWN TO AT LEAST 60°C (140°F). CONTACT WITH THE EXTRUDER TIP DURING OR AFTER OPERATION BEFORE TIP HAS COOLED MAY RESULT IN PERSONAL INJURY.

4. Once you hear the alert tone, gently pull the filament out of the extruder until it is completely separated from the extruder.



NOTE: A small amount of filament may be remaining in the extruder. The start of your next object may have some of this filament color until it transitions over to your filament color. Allow replacement filament to fully extrude before beginning next object to ensure consistent color.

5. If filament cannot be easily pulled out of the extruder, tap the return arrow. Tap "Setup" then tap "Preheat". Select maximum temperature and allow 15 minutes to heat. After 15 minutes of heating, tap the "Arrow" button and repeat steps 1 through 5 above.

NOTE: After the filament is pulled out from the extruder, filament may be visible at the extruder tip. The filament debris remaining should be removed using the unclog tool to prevent clogging. To remove the remaining filament insert the unclog tool's point into the extruder intake (top); if any

filament is present, it will exit from the extruder tip.

6. See "Filament Installation" instructions on page 19 to install replacement filament spool.

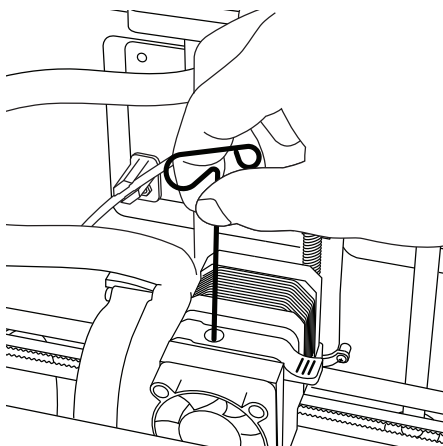
MAINTENANCE AND SERVICE

Problem	Cause	Corrective Action
Extruder head building off center	Dremel 3D20 has lost track of the extruder head's exact location and is failing to build.	Sending the extruder head to the home position will recalibrate the Dremel 3D20. Cancel your object, clear build platform, send the extruder head to the home position, and restart the object.
PLA is not extruding or sticking to the build tape properly	This can be caused by the build platform not being leveled with the extruder head.	Leveling the build platform will align the extruder head and ensure a better object quality. Cancel your object, clear build platform, level the build platform, and restart the object.
Dremel 3D software froze during use or computer froze.	Sometimes software isn't as smart as you are and locks up.	Save any open files if possible and either restart the Dremel 3D software or your computer.
Dremel 3D20 froze before my object started.	Dremel 3D20 may have received conflicting commands.	Turn power switch off, wait 30 seconds, and turn power switch on.
3D file loads with a warning stating that the file is not closed.	3D file has not been properly designed and has open surfaces.	Open 3D file in a CAD editing software to close all the open surfaces.
Support material does not break away during cleaning and results in decreased quality of the final object.	Orientation of the part is not optimized.	Reorient the position of the 3D file in Dremel 3D to minimize the support material or place the support material on a non-critical surface.
Spaghetti mess at end of build.	A layer of your object did not stick properly, model was saved with minimal surface area contacting the build platform, or object was built floating above the build platform with no support selected.	Use the preview feature in Dremel 3D to see the first layer height and position. Build with supports when necessary.
Part only built halfway.	Filament ran out. Filament clogged during build.	Replace filament and start build over. See "No filament coming out".
No filament coming out	Clogged extruder	Use unclog tool to push through filament. Contact customer service.
Extruder will not home	Limit switch wire failure	Contact customer service.
Stringy or fraying plastic layers on steep overhangs	Object overhangs are too far apart or too steep (<45degree angle).	Build with supports.

UNCLOGGING THE EXTRUDER

Use the unclogging tool to clean the extruder and unclog built up filament.

1. Wait for extruder to heat up insert the unclog tool into the extruder intake (top).
2. Clogged debris will be pushed down and will extrude from the extruder tip.



CLEANING THE EXTERIOR

Clean the 3D20's exterior with a lint free cloth. Clear the outer surfaces of any debris that is visible. To avoid damaging your Dremel 3D20 do not use water, chemicals or other cleaners on the 3D20.

CLEANING THE EXTRUDER TIP

CAUTION: Use extra care not to damage the extruder tip when clearing debris. Dremel 3D20 will not work properly with damaged extruder tip and will require replacement.

⚠ WARNING DO NOT TOUCH THE EXTRUDER TIP DURING DREMEL 3D20 OPERATION OR UNTIL IT HAS COOLED DOWN TO 60°C (140°F). CONTACT WITH THE EXTRUDER TIP DURING OR AFTER OPERATION BEFORE TIP HAS COOLED MAY RESULT IN PERSONAL INJURY.

Using small needle nose pliers, pull away any plastic debris from the extruder tip. If the debris is stubborn, the extruder may need to be heated to make the debris soft enough to remove.

CLEANING THE TOUCH SCREEN

Wipe the touch screen with the soft, lint-free cloth. Do not spray cleaners on the touch screen.

BEST PRACTICES

1. ALWAYS USE BUILD TAPE.
2. Ensure your build platform is level before every object.
3. Ensure spool is installed properly and can rotate freely.
4. When using your Dremel 3D20 for the first time or after changing filament, allow Dremel 3D20 to extrude until material is consistent with the installed filament color.
5. It is important to watch your Dremel 3D20 begin building objects. Your object is most likely to experience difficulty in the beginning. Thankfully, this is also the most convenient time to cancel the object, clean the build platform, and start your object again. Remain near the Dremel 3D20 during the building process.
6. It is important to save you Dremel 3D20 packaging as it will make re-boxing and transporting your Dremel 3D20 easier.
7. Ensure that you store filament spools in an environment that is not moist or too hot. It is recommended that you do not remove the filament spool from its airtight packaging until use.
8. Use object removal tool gently to avoid damaging the build platform or object.
9. Whenever possible, it is best to locate your object in the center of the build platform. Using the best orientation for your object is critical. Ensure that your object is located on the build platform and that you are using the best orientation for building.
10. For steep overhangs (Less than 45 degree angle) it is recommended to build with support.
11. To prevent build tape from peeling during the build, wrap the build tape underneath the build platform.
12. Always remove the build platform before removing the object.
13. Use the home feature before unloading and loading a filament spool. Also, it is recommended to remove the build platform before unloading or loading a filament spool.
14. Low speed sanding is recommended to prevent remelting of the object.
15. The Dremel 3D software will display the weight of each model. You can determine whether you have enough filament to complete your object before building by weighing the filament and spool then subtracting the weight of the spool.

DREMEL® CONSUMER LIMITED WARRANTY

This DREMEL product is guaranteed in accordance with statutory/country-specific regulations; damage due to normal wear and tear, overload or improper handling are excluded from the warranty.

In the event of the product fails to conform to this written warranty, please take the following action:

1. DO NOT return your product to the place of purchase.
2. Please contact customer service via **www.dremel.com** for further instructions.

DISPOSAL

The machine, accessories and packaging should be sorted for environmental-friendly recycling.

ONLY FOR EC COUNTRIES



Do not dispose of power tools with household waste!

According to the European Guideline 2012/19/EC for Waste Electrical and Electronic

Equipment and its implementation into national law, power tools that are no longer usable must be collected separately and disposed of in an environmentally-correct manner.

CONTACT DREMEL

For more information on the Dremel product range, support and hotline, go to www.dremel.com.

Dremel Europe, P.O. Box 3267, 4800 DG Breda, The Netherlands.

ÜBERSETZUNG DER ORIGINALBEDIENUNGSANLEITUNG

ALLGEMEINE WARNHINWEISE



⚠️ WARNUNG

LESEN SIE ALLE BETRIEBS- UND SICHERHEITSHINWEISE IN DIESEM HANDBUCH DURCH UND MACHEN SIE SICH MIT DEM DREMEL 3D20 VERTRAUT, BEVOR SIE DAS GERÄT EINRICHTEN UND VERWENDEN. DAS NICHTBEACHTEN VON WARNHINWEISEN UND ANWEISUNGEN KANN ZU FEUER, GERÄTE- UND ANDEREN SACHSCHÄDEN SOWIE ZU PERSONENSCHÄDEN FÜHREN. BEWAHREN SIE ALLE WARNHINWEISE UND ANWEISUNGEN ZUM SPÄTEREN EINSEHEN AUF.

SICHERHEIT AM ARBEITSPLATZ

- Halten Sie Ihren Arbeitsbereich sauber und aufgeräumt. *Unordnung und unbeleuchtete Arbeitsbereiche können zu Unfällen führen.*
- Arbeiten Sie mit dem Dremel 3D20 nicht in explosionsgefährdeter Umgebung, in der sich brennbare Flüssigkeiten, Gase oder Stäube befinden. *Bei der Arbeit mit dem Dremel 3D20 entstehen hohe Temperaturen, durch die sich Stäube und Gase entzünden können.*
- Bewahren Sie den 3D20 außerhalb der Reichweite von Kindern und nicht in der Verwendung des Gerätes geschulten Personen auf. *Die Verwendung durch nicht geschulte Personen kann zu Verletzungen führen.*

ELEKTRISCHE SICHERHEIT

- Verwenden Sie den Dremel 3D20 nur mit ordnungsgemäß geerdeten Steckdosen. Nehmen Sie keine Änderungen am Stecker des Dremel 3D20 vor. *Durch eine falsche Erdung oder veränderte Stecker wird die Gefahr von Stromschlägen erhöht.*
- Verwenden Sie den Dremel 3D20 nicht in feuchten oder nassen Umgebungen. Setzen Sie den Dremel 3D20 keinem Regen aus. *Durch Feuchtigkeit wird die Gefahr von elektrischen Schlägen erhöht.*
- Nutzen Sie das Netzkabel ausschließlich für seinen bestimmungsgemäßen Zweck. Verwenden Sie das Netzkabel nicht, um den Dremel 3D20 zu ziehen. Ziehen Sie den Netzstecker nicht am Kabel aus der Steckdose. Halten Sie das Kabel fern von Hitze, Öl, scharfen Kanten und sich bewegenden Geräteteilen. *Beschädigte oder verwickelte Kabel erhöhen das Risiko eines elektrischen Schlages.*
- Verwenden Sie das Gerät nach Möglichkeit nicht während eines Gewitters. *Es besteht geringe Gefahr einer Überspannung durch Blitzinschlag, die zu elektrischen Schlägen führen kann.*
- Ziehen Sie im Notfall den Netzstecker des Dremel 3D20.

SICHERHEIT VON PERSONEN

- Seien Sie bei der Arbeit mit dem Dremel 3D20 stets aufmerksam, achten Sie darauf, was Sie tun, und handeln Sie mit Vernunft. Benutzen Sie

den Dremel 3D20 nicht, wenn Sie müde sind oder unter dem Einfluss von Drogen, Alkohol oder Medikamenten stehen. *Ein Moment der Unachtsamkeit beim Gebrauch des Gerätes kann zu ernsthaften Verletzungen führen.*

- Tragen Sie persönliche Schutzausrüstung. *Durch Schutzausrüstung wie hitzebeständige Handschuhe und eine Schutzbrille wird die Verletzungsgefahr reduziert.*
- Tragen Sie geeignete Kleidung. Tragen Sie keine weite Kleidung oder Schmuck. Halten Sie Haare, Kleidung und Handschuhe fern von sich bewegenden Teilen. *Lose Kleidung, Schmuck und lange Haare können von bewegten Teilen erfasst werden.*

DREMEL 3D20 – SORGFÄLTIGER UMGANG UND GEBRAUCH

- Kontrollieren Sie vor jedem Einsatz, ob die beweglichen Teile des Dremel 3D20 einwandfrei funktionieren und nicht klemmen, und ob Teile gebrochen oder so beschädigt sind, dass die Funktion des Gerätes beeinträchtigt ist. *Wenn der Dremel 3D20 beschädigt ist, muss er vor der nächsten Verwendung in einem autorisierten Dremel-Servicezentrum repariert werden. Die Verwendung des Dremel 3D20 im beschädigten Zustand kann zu Objekten von mangelhafter Qualität, zu weiteren Geräteschäden sowie zu Sach- und Personenschäden führen.*
- Berühren Sie die Druckkopfdüse nicht, während der Dremel 3D20 in Betrieb ist oder die Temperatur über 60 °C (140 °F) liegt. *Das Berühren der Druckkopfdüse während des Betriebs oder vor dem Abkühlen der Düse kann zu Personenschäden führen.*
- Stellen Sie den Dremel 3D20 an einem gut belüfteten Ort auf. Lassen Sie rings um den Dremel 3D20 einen Freiraum von mindestens 20 cm. *Während des Druckens schmilzt der Dremel 3D20 Kunststoff. Die während des Betriebs des Dremel 3D20 austretenden Kunststoffgerüche können eine Reizung der Augen und Atemwege verursachen. Wenn der Dremel 3D20 zu dicht an anderen Objekten aufgestellt ist, wird eine ordnungsgemäße Belüftung verhindert.*
- Fassen Sie während des Betriebs nicht in das Innere des Dremel 3D20. *Das Berühren von beweglichen Teilen des Dremel 3D20 während des Betriebs kann zu Objekten von mangelhafter Qualität, weiteren Geräteschäden, Sachschäden und Personenschäden führen.*
- Lassen Sie den Dremel 3D20 während des Betriebs nicht unbeaufsichtigt. *Die Verwendung des Dremel 3D20 durch Personen, die nicht mit diesen Warnungen und Anweisungen vertraut sind, kann zu Geräteschäden, Sachschäden und Personenschäden führen.*
- Verwenden Sie nur DREMEL PLA-Filamente. *Die Verwendung von nicht von Dremel zugelassenen Filamenten kann zu Geräte- und Sachschäden führen.*
- Mit dem Dremel 3D20 erstellte kleine Objekte müssen außerhalb der Reichweite von Kleinkindern aufbewahrt werden. *Kleine Gegenstände stellen eine potenzielle Erstickungsgefahr für Kleinkinder dar.*
- Erstellen Sie mit dem Dremel 3D20 keine illegalen oder ungeeigneten Objekte.
- Erstellen Sie mit dem Dremel 3D20 keine Objekte, die für den Einsatz mit Wärmequellen wie Kerzen oder flüssigen Kraftstoffen bestimmt

- sind. Kunststoffe können schmelzen, wenn sie Feuer oder anderen Wärmequellen ausgesetzt werden. Eine derartige Verwendung von mit dem Dremel 3D20 erstellten Objekten kann zu Feuer, Sach- und Personenschäden führen.
- j. Erstellen Sie mit dem Dremel 3D20 keine Objekte, die für den Einsatz mit Lebensmitteln oder Getränken bestimmt sind (Zubereitung, Dekoration, Lagerung oder Verzehr). Eine derartige Verwendung von mit dem Dremel 3D20 erstellten Objekten kann zu Krankheit und Personenschäden führen.
- k. Erstellen Sie mit dem Dremel 3D20 keine Objekte, die für den Einsatz mit elektrischen Komponenten oder deren Gehäuse bestimmt sind. PLA-Kunststoffe sind nicht für die Verwendung mit elektrischen Geräten geeignet. Eine derartige Verwendung von mit dem Dremel 3D20 erstellten Objekten kann zu Sach- und Personenschäden führen.
- l. Nehmen Sie Kunststoffobjekte nicht in den Mund, und vermeiden Sie Kontakt mit dem Mundbereich. Objekte aus PLA-Kunststoff sind nicht für den Einsatz mit Lebensmitteln geeignet. Eine derartige Verwendung von mit dem Dremel 3D20 erstellten Objekten kann zu Krankheit und Personenschäden führen.
- m. Erstellen Sie mit dem Dremel 3D20 keine Objekte zur Lagerung von Chemikalien. PLA-Kunststoffe sind nicht für die Lagerung von Chemikalien geeignet. Eine derartige Verwendung von mit dem Dremel 3D20 erstellten Objekten kann zu Sach- und Personenschäden führen.
- n. Nehmen Sie keine Änderungen am Dremel 3D20 oder an den Werkseinstellungen vor. Derartige Änderungen können zu Geräte-, Sach- und Personenschäden führen.
- o. Setzen Sie den Dremel 3D20 keinen Temperaturen über 70 °C (158 °F) aus. Andernfalls kann der Dremel 3D20 beschädigt werden. Der Dremel 3D20 wurde für den Betrieb bei einer Umgebungstemperatur von 16 bis 29 °C (60 bis 85 °F) konzipiert.
- p. Bewegen Sie den Dremel 3D20 und den Druckkopf während des Betriebs nicht, und stoßen Sie sie nicht an. Andernfalls kann es zu Druckfehlern kommen.
- q. Ändern Sie die Farbe des Filaments oder der Spule nicht während des Drucks. Andernfalls wird der Druckvorgang abgebrochen, und es kann zu Schäden am Druckkopf kommen.
- r. Ziehen Sie das Filament erst heraus, wenn eine entsprechende Meldung auf dem Bildschirm angezeigt wird. Andernfalls kann es zu Schäden am Druckkopf kommen.
- s. Achten Sie beim Entfernen von Restmaterial besonders darauf, die Druckkopfdüse nicht zu beschädigen. Wenn die Druckkopfdüse beschädigt ist, funktioniert der Dremel 3D20 nicht ordnungsgemäß. Defekte Düsen müssen daher ausgetauscht werden.
- t. Achten Sie vor jedem Druck darauf, dass die Druckplattform gemäß den Angaben von Dremel mit Druckband bedeckt ist. Die Verwendung von ungeeignetem Druckband kann zu Geräteschäden und Objekten von mangelhafter Qualität führen.
- u. Achten Sie auf Ihre Körperhaltung, wenn Sie Objekte mit einem Werkzeug von der Druckplattform entfernen. Das Abrutschen mit dem Werkzeug während des Entfernens des Objekts von der Druckplattform kann bei falscher Körperhaltung zu Personenschäden führen.
- v. Achten Sie darauf, die Druckplattform beim

Entfernen von Objekten nicht zu zerkratzen.

Kratzer auf der Druckplattform führen zu Druckfehlern.

- w. Dremel übernimmt keine Verantwortung für die strukturelle Integrität oder Verwendbarkeit von mit dem Dremel 3D20 erstellten Objekten. Von unerfahrenen Konstrukteuren erstellte strukturelle Modelle können zu Sach- und Personenschäden führen.



REPARATUREN

- a. Trennen Sie den Dremel 3D20 vor der Durchführung von Wartungsarbeiten stets von der Stromversorgung. Andernfalls kann es zu Personen- und Geräteschäden kommen.
- b. Lassen Sie den Dremel 3D20 nur in autorisierten Dremel-Servicezentren und nur mit Original-Ersatzteilen von Dremel warten und reparieren. Nur so bleiben die ordnungsgemäße Funktion und Sicherheit des Dremel 3D20 weiterhin gewährleistet.
- c. Verwenden Sie nur von Dremel zugelassene Materialien und Komponenten. Die Verwendungen von anderen Objektmaterialien oder 3D-Objekten als den von Dremel® zugelassenen Materialien und Dremel®-Originalkomponenten kann zu einem Erlöschen der Garantie führen.

INHALTSVERZEICHNIS

Allgemeine Warnhinweise	27
Inhaltsverzeichnis	28
Verwendete Symbole	29
Informationen zu geistigem Eigentum.....	29
Funktionsbeschreibung und technische Daten...	30
Informationsquellen zum 3d20	31
Begriffsglossar	31
Einführung in den 3D20	33
Einführung	35
Lieferumfang und Auspacken.....	35
Touchscreen	37
Installieren und Registrieren der Software	42
Überblick über die Dremel-Software.....	43
Druckvorbereitung	45
Druckvorgang läuft	47
Drucken von SD-Karte.....	48
Drucken vom Computer	48
Entnehmen fertiger Objekte.....	49
Entfernen und Ersetzen der Filamentspule	49
Wartung und Problembehebung	51
Beseitigen von Verstopfungen aus dem Druckkopf.....	52
Reinigen der Außenflächen.....	52
Reinigen der Druckkopfdüse.....	52
Reinigen des Touchscreens.....	52
Tipps	52

VERWENDETE SYMBOLE

Symbol	Bezeichnung	Beschreibung
 WARNUNG	Warnsymbol	Weist den Benutzer auf Warmmeldungen hin
	Handbuchsymbol	Weist den Benutzer darauf hin, das Handbuch zu konsultieren

⚠️ WARNUNG **DIES IST EIN PRODUKT DER KLASSE A. IM HÄUSLICHEN UMFELD KANN DIESES PRODUKT FUNKSTÖRUNGEN VERURSACHEN. IN DIESEM FALL MUSS DER BENUTZER GEEIGNETE GEGENMASSNAHMEN TREFFEN.**

INFORMATIONEN ZU GEISTIGEM EIGENTUM

Der Dremel 3D20 ist für das Drucken von 3D-Objekten von digitalen Dateien bestimmt, die Sie entweder selbst erstellt haben oder für die Sie eine Berechtigung zum Drucken mit dem Dremel 3D20 verfügen. Beim Erstellen von Objekten mit dem Dremel 3D20 liegt es in Ihrer Verantwortung, sicherzustellen, dass Sie keine Urheberrechte von Dritten oder einschlägige Gesetze oder Vorschriften wie beispielsweise das US-amerikanische Gesetz oder Gesetze anderer Länder zum Schutze von geistigem Eigentum verletzen. Der Dremel 3D20 darf nicht zur Erstellung von Objekten verwendet werden, die Urheberrechten Dritter unterliegen, sofern keine Genehmigung seitens dieser Dritten vorliegt. Für die Verwendung des Dremel 3D20 zu einem der folgenden Zwecke ist unter Umständen die Genehmigung Dritter erforderlich: Erstellen eines Duplikats oder einer Kopie (ganz oder teilweise) eines Objektes, das nicht von Ihnen entworfen wurde, Erstellen eines Objekts auf Grundlage einer digitalen Datei, die nicht Ihnen gehört, oder Erstellen eines Objekts auf Grundlage eines Scans oder eines materiellen Gegenstandes, den Sie nicht selbst entworfen haben. Es liegt in Ihrer Verantwortung, eine derartige Genehmigung einzuholen. Möglicherweise wird Ihnen eine solche Genehmigung nicht immer erteilt. In diesen Fällen sollten Sie keinen 3D-Druck von den entsprechenden Objekten anfertigen. Wenn Sie dies dennoch tun, erfolgt dies auf eigene Gefahr. Sie sind nicht befugt, den Dremel 3D20 oder die zugehörige Software oder Firmware zu verändern, zurückzuentwickeln, zu dekompileieren oder zu demontieren, sofern dies nicht durch geltende Gesetze erlaubt ist. Wenn Sie den Dremel 3D20 auf eine andere als die empfohlene und in diesen Betriebs- und Sicherheitshinweisen beschriebene Art und Weise verwenden, geschieht dies auf eigene Gefahr. Die Verwendung des Dremel 3D20 zur Herstellung von Objekten unter Verletzung der Urheberrechte Dritter kann eine zivil- und strafrechtliche Verfolgung und Strafen einschließlich finanziellen Entschädigungen, Geldstrafen und Gefängnisstrafen nach sich ziehen.

Dieses Produkt kann Chemikalien enthalten oder freisetzen, die dem US-Bundesstaat als Ursache für Krebs und Geburtsschäden sowie andere Fortpflanzungsstörungen bekannt sind.

FUNKTIONSBESCHREIBUNG UND TECHNISCHE DATEN

DRUCKEN

Druckkopf: Einzelextrusion
Druckkopftemperatur: Bis zu 230 °C (397 °F)
Benutzerschnittstelle: 3,5-Zoll-IPS-Farb-Touchscreen
Maximales Druckvolumen:
230 mm × 150 mm × 140 mm
(9" × 5,9" × 5,5")
Schichtstärke: 4 mil | 0,004 Zoll 100 Mikron | 0,10 mm
Filamentfarben: für verfügbare Farben siehe Dremel3D.com
SD-Karte: bis zu 32 GB (der 3D20 ist nicht mit größeren SD-Karten kompatibel)
Interner Speicher: 4GB

GEWICHT UND MASSE

Gewicht (ohne Spule): 8,8 kg
Maße: 485 mm × 400 mm × 335 mm
(19,1" × 15,7" × 13,2")

FILAMENT

AUSSCHLIESSLICH mit PLA-Filamenten von Dremel kompatibel
Filament: 1,75 mm PLA
(biologisch abbaubar/erneuerbar)

LAGERUNG VON FILAMENTEN

Die Qualität von Polymeren nimmt im Laufe der Zeit ab. Packen Sie das Filament daher erst aus, wenn es benötigt wird. Lagerung bei Raumtemperatur: 16-29 °C (60-85 °F)

SOFTWARE

Im Lieferumfang des Dremel 3D20 ist die Dremel 3D-Software für Windows und Mac OS X enthalten. Diese Anwendung konvertiert digitale 3D-Dateien in druckbare Dateien.

MINIMALE HARDWAREANFORDERUNGEN

Zur Ausführung der Dremel® 3D-Software wird ein Computer mit den folgenden Mindestanforderungen benötigt:
Prozessor: Multi-Core-Prozessor
(mind. 2 GHz pro Core)
System-RAM: 2 GB
Bildschirmauflösung: 1024 × 768
USB-Anschluss

WINDOWS-ANFORDERUNGEN

32- oder 64-Bit-Betriebssystem
Windows Vista oder neuer

MAC OS X-ANFORDERUNGEN

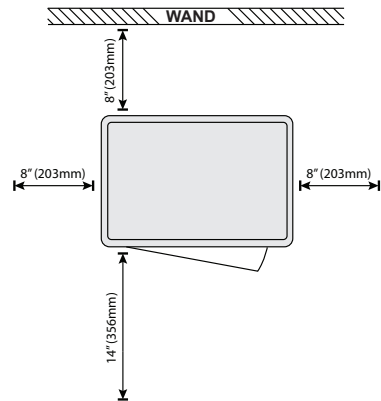
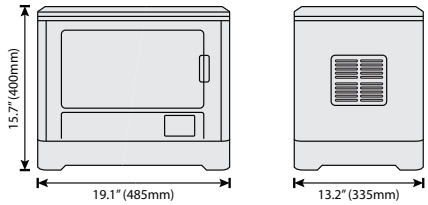
Mac OS X 10.8 oder neuer

ELEKTRISCHE ANFORDERUNGEN

3D20-Eingangsspannung: 120 V, 60 Hz, 1,2 A

BETRIEBSUMGEBUNG

Raumtemperatur: 16-29 °C (60-85 °F)
Gerade Arbeitsfläche
Trockene Arbeitsumgebung



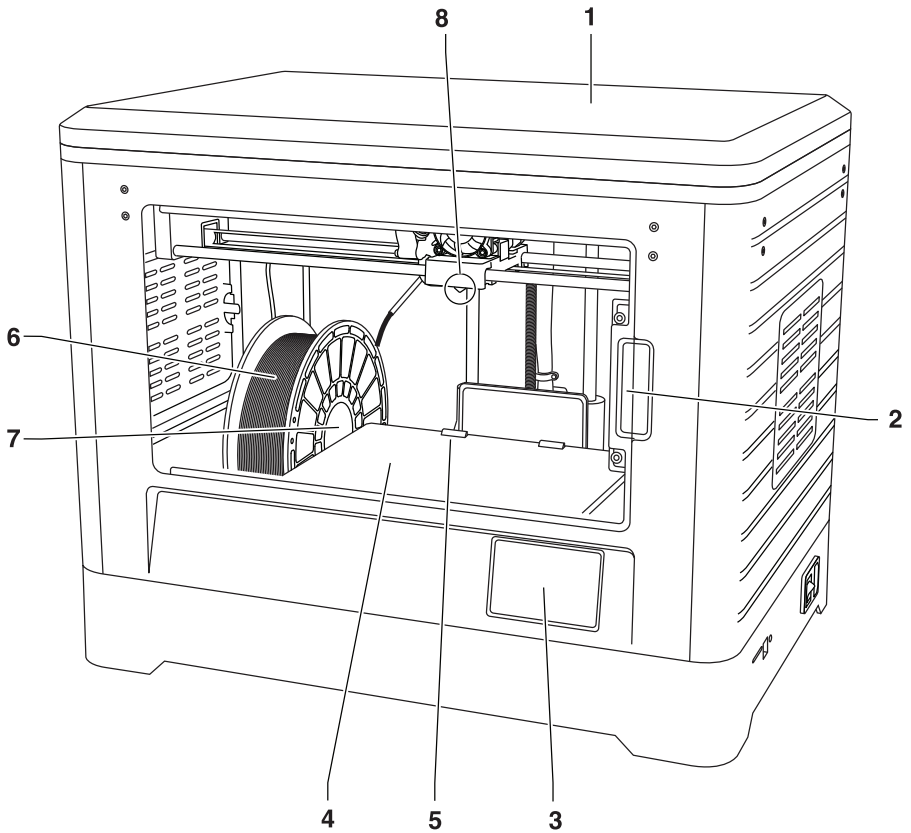
INFORMATIONSQLLENEN ZUM 3D20

Quelle	Beschreibung	Verfügbar unter
Kurzanleitung	Enthält eine illustrierte Schritt-für-Schritt-Anleitung zum Auspacken und zur Inbetriebnahme des 3D20.	Eine Druckversion der Kurzanleitung befindet sich im rechteckigen Karton mit den Komponenten. Sie ist auch online unter www.dremel3d.com verfügbar.
3D20-Website	Enthält die neueste 3D20-Software und Produktinformationen und bietet Zugang zum Kundenservice.	www.dremel3d.com
3D20-Kundenservice	Wenden Sie sich für Unterstützung, Wartungsarbeiten und Serviceleistungen an Dremel.	
Dremel 3D20-Software	Ermöglicht das Hochladen, Bearbeiten und Drucken von 3D-Dateien. Außerdem können Sie die Geräteeinstellungen ändern und Zubehör bestellen.	Installation von www.dremel3d.com oder der im Lieferumfang des Dremel 3D20 enthaltenen SD-Karte.

BEGRIFFSGLOSSAR

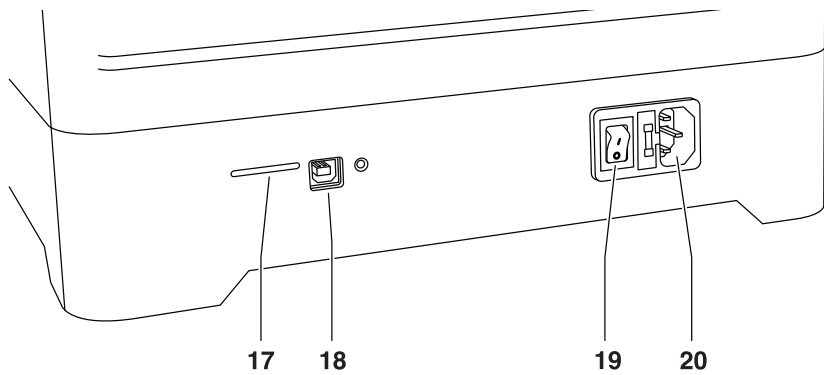
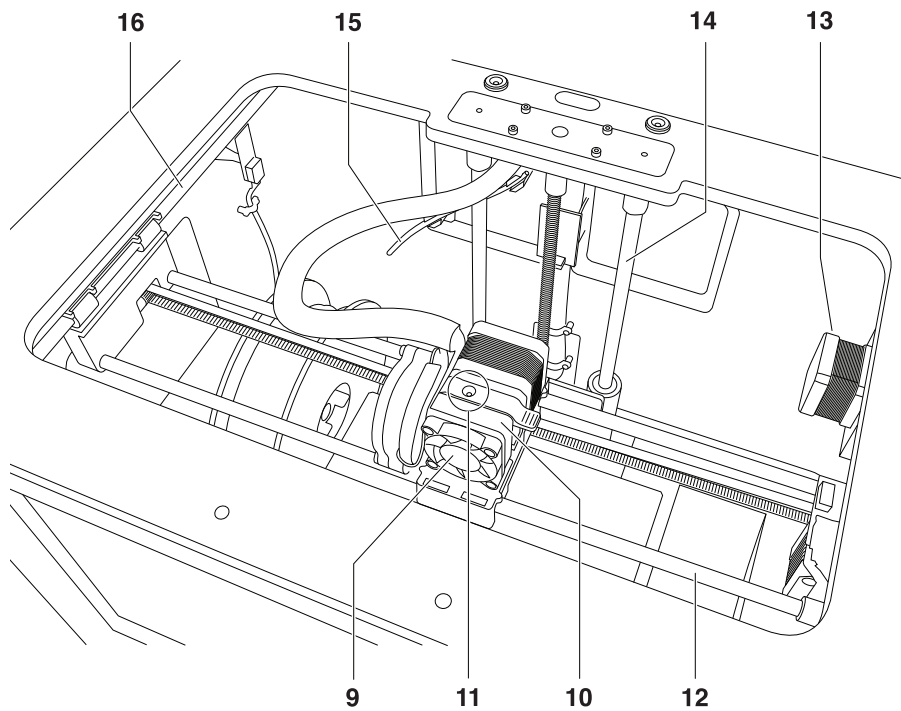
Begriff	Definition
Druckplattform	Die flache Oberfläche, auf der im Dremel 3D20 Objekte gedruckt werden.
Druckplattform-Klemme	Die Klammer an der Vorderseite der Druckplattform, mit der diese arretiert wird.
Druckband	Ein Klebeband, das Malerband ähnelt und dafür sorgt, dass Druckobjekte einheitlich sind und an der Druckplattform haften.
Druckvolumen	Der dreidimensionale (3D) Raum, den ein fertiggestelltes Objekt einnimmt. Der Dremel 3D20 verfügt über ein maximales Druckvolumen. Objekte mit einem größeren Druckvolumen können nur gedruckt werden, indem sie kleiner skaliert oder in Unterobjekte aufgeteilt werden.
Tür	Auf der Vorderseite des Dremel 3D20 befindet sich eine Tür. Diese bietet einfachen Zugriff auf die Druckplattform, den Druckkopf, das Filament und die Druckobjekte. Da sie aus durchsichtigem Material besteht, können Sie den Fortschritt der Objekte verfolgen, ohne die Druckumgebung zu beeinflussen.
Abdeckung	Auf der Oberseite des Dremel 3D20 befindet sich eine Abdeckung. Diese kann bei Bedarf entfernt werden, um von oben auf die Druckplattform, den Druckkopf, das Filament und die Druckobjekte zuzugreifen.
Endschalter	Dieser Schalter wird durch die Bewegung des Druckkopfs oder der Druckplattform aktiviert, wenn das Objekt die Endposition erreicht hat.
Druckkopf	Eine Baugruppe, die das Filament mithilfe von Zahnrädern durch den Druckkopfeingang transportiert, auf die Drucktemperatur erwärmt und aus der Druckkopfdüse herausdrückt.
Druckkopflüfter	Ein Lüfter zur Kühlung der äußeren Komponenten des Druckkopfs und des Zahnradmotors.
Druckkopfeingang	Die Öffnung oben am Druckkopf, in die das Filament für den Druck eingeführt wird.
Druckkopfebel	Ein Hebel an der Seite des Druckkopfs, mit dem die Spannung des Zahnradantriebs gelockert werden kann.
Druckkopfdüse	Die Düse unten am Druckkopf, aus der das Filament für den Druck herausgepresst wird.
Filament	Ein fadenähnlicher Strang aus Kunststoff.
Filamentspule	Eine Rolle, um die ein langer Filamentstrang zur Aufbewahrung und kontinuierlichen Verwendung gewickelt ist.
Filament-Führungsrohr	Ein Kunststoffelement, durch das Filament von der Filamentspule in das äußere Gehäuse des Dremel 3D20 geleitet wird.

Fingerschrauben	Einstellräder unterhalb der Druckplattform, mit deren Hilfe der richtige Abstand zwischen der Druckkopfdüse und der Druckplattform eingestellt wird.
Ausrichtungswerkzeug	Ein kalibriertes Blatt mit detaillierten Markierungen und Gebrauchshinweisen zur Ausrichtung der Druckplattform.
PLA	Ein Biokunststoff, der aus erneuerbaren Materialien wie Speisestärke besteht.
Spitzzange	Ein gängiges Werkzeug, mit dem kleine Objekte festgehalten und überschüssige Materialien, die zu heiß zum Berühren sind, erfasst werden können.
Werkzeug zum Entfernen von Objekten	Werkzeug zum Entfernen der fertigen Objekte von der Druckplattform.
SD-Karte	Eine tragbare Speicherkarte, die in zahlreichen Geräten wie Digitalkameras zum Einsatz kommt.
Spulenhalterung	Ein Kunststoffelement links von der Druckplattform im Druckbereich des Dremel 3D20, auf das die Filamentspule gesetzt wird.
Spulenspannung	Ein Kunststoffelement, mit dem die Filamentspule auf der Spulenhalterung fixiert wird. Wird durch die Mitte der Filamentspule bis zur Spulenhalterung eingeführt und zum Retrieren gedreht.
Schrittmotor	Ein bürstenloser elektrischer Gleichstrommotor, mit dem die Führungsschienen und die Zahnräder des Druckkopfs angetrieben werden.
.STL-Datei	Ein gängiges digitales Dateiformat, das häufig in 3D-Modell-Programmen verwendet wird. .STL-Dateien können mithilfe von 3D-Software von Drittanbietern erstellt oder von Dremel3D.com heruntergeladen werden.
.3dremel-Datei	Das digitale Dateiformat von Dremel, mit dem der Dremel 3D20 Modelle verarbeitet.
.G3Drem-Datei	Ein druckbares Dateiformat, das mit dem Dremel 3D20 kompatibel ist.
Touchscreen	Ein berührungsempfindliches Farbdisplay, über das Sie den Dremel 3D20 und die Objekte überwachen und Befehle ohne Computer direkt in den Dremel 3D20 eingeben können.
Werkzeug zum Beseitigen von Verstopfungen	Ein Werkzeug zum Befreien des Druckkopfs von überschüssigen Materialien.
Führungsschienen X-Achse	Eine Reihe von Schienen auf beiden Seiten des Druckkopfs, über die dieser durch einen Schrittmotor im Druckbereich nach links und rechts bewegt werden kann.
Führungsschienen Y-Achse	Eine Reihe von Schienen auf beiden Seiten des Druckbereichs, über die der Druckkopf durch einen Schrittmotor im Druckbereich vor und zurück bewegt werden kann.
Führungsschienen Z-Achse	Eine Reihe von Schienen im hinteren Druckbereich, über die die Druckplattform durch einen Schrittmotor auf und ab bewegt werden kann.



- 1. Abdeckung
- 2. Tür
- 3. Touchscreen
- 4. Druckplattform
- 5. Druckplattform-Klemmen
- 6. Filamentspule
- 7. Filamentspulenhalterung/-arretierung
- 8. Druckkopfdüse
- 9. Druckkopftüfer
- 10. Druckkopf

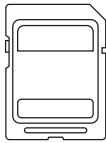
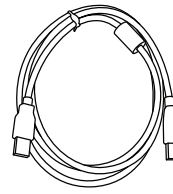
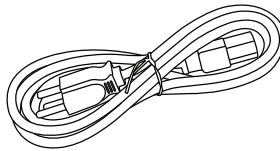
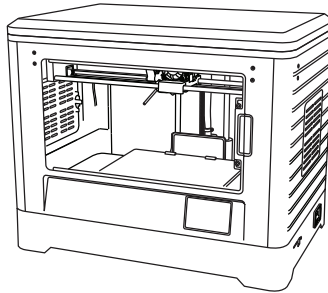
- 11. Druckkopfeingang
- 12. Führungsschienen X-Achse
- 13. Schrittmotor (1 von 3)
- 14. Führungsschienen Z-Achse
- 15. Filament-Führungsrohr
- 16. Führungsschienen Y-Achse
- 17. Netzeingang
- 18. Netzschalter
- 19. USB-Eingang
- 20. SD-Kartensteckplatz



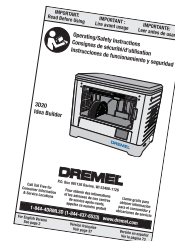
Willkommen in der Welt von Dremel 3D. Wir möchten Ihnen helfen, Ihre 3D-Drucke zu optimieren, und Ihnen wertvolle Tipps für die Umsetzung Ihrer Ideen geben. Der 3D-Druck ist ein Prozess, der Experimentierfreudigkeit und Geduld erfordert. Deshalb stehen Ihnen die Experten von Dremel mit Online-Tipps und Live-Unterstützung zur Seite, um Ihnen den Vorgang zu erleichtern. Legen Sie gleich los, indem Sie Ihren Dremel 3D20 auf Dremel3D.com registrieren, um auf Hunderte hochwertige Modelle und innovative Projekte zuzugreifen. Mit Dremel können Sie Ihre eigenen Ideen verwirklichen und optimieren.

LIEFERUMFANG

- Dremel 3D20
- 1 Filamentspule
- (nicht in feuchter oder heißer Umgebung lagern)
- Kurzanleitung
- Betriebshandbuch
- Netzkabel
- USB-Kabel
- SD-Karte
- (mit Beispielmelddateien)
- Druckband
- Werkzeug zum Entfernen von Objekten
- Werkzeug zum Beseitigen von Verstopfungen
- Ausrichtungswerkzeug



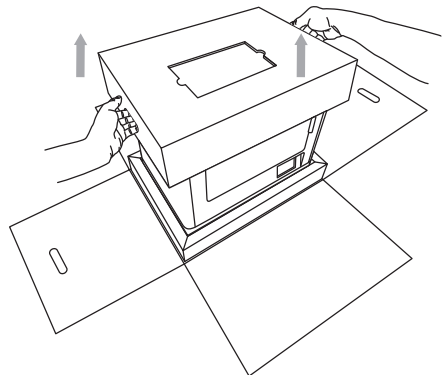
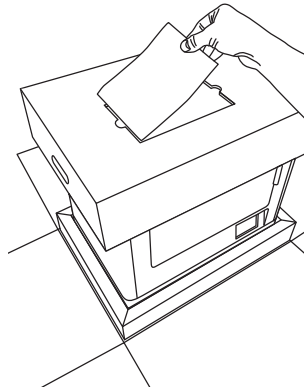
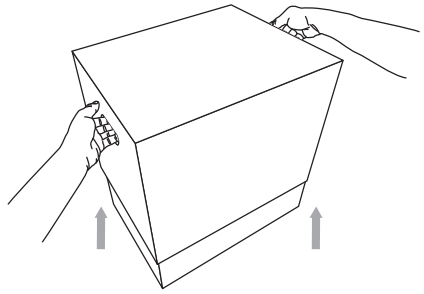
Ausrichtungs-
werkzeug



AUSPACKEN


1. Stellen Sie den Karton auf einen Tisch, und schneiden Sie das Klebeband auf.
2. Heben Sie die äußere Verpackung hoch, sodass sich der innere Karton öffnet.
3. Entfernen Sie den Pappdeckel von der Oberseite des Dremel 3D20.
4. Der rechteckige Karton über dem Dremel 3D20 enthält das Produkthandbuch, die Kurzanleitung und die Komponenten zur Einrichtung. Nehmen Sie die Komponenten des Sets heraus.
5. Halten Sie den Dremel 3D20 gut fest, heben Sie ihn aus der Verpackung heraus, und setzen Sie ihn vorsichtig auf eine stabile Oberfläche.
6. Nehmen Sie die Kunststoffabdeckung von der Oberseite des Dremel 3D20 ab.
7. Entfernen Sie das Klebeband von der Tür des Dremel 3D20.
8. Nehmen Sie die Einsätze aus dem Dremel 3D20 heraus.

Tipp: Behalten Sie die Verpackung auf, um das Gerät später darin transportieren und lagern zu können.




Dank der integrierten Software und dem Farb-Touchscreen lässt sich der Dremel 3D20 ganz einfach ohne Computer verwenden. Bevor Sie mit dem Drucken des ersten Modells beginnen, sollten Sie sich mit der Menüstruktur und den Optionen des Touchscreens vertraut machen.


⚠️ WARNUNG BEACHTEN SIE BEI DER VERWENDUNG DES DREMEL 3D20 ALLE WARNUNGEN UND SICHERHEITSANWEISUNGEN. ANDERNFALLS KANN ES ZU FEUER, GERÄTE- UND ANDEREN SACHSCHÄDEN SOWIE ZU PERSONENSCHÄDEN KOMMEN.



WARM




BUILD




TOOLS


DRUCKEN (BUILD)



108MB
3781MB



434MB
1885MB



WARM

Wählen Sie ein Modell aus dem integrierten Speicher des Dremel 3D20 aus, indem Sie auf das Dremel 3D20-Symbol tippen, oder wählen Sie ein Modell von der SD-Karte aus, indem Sie auf das SD-Karten-Symbol tippen.



20MM_BOX.G3DREM
PRINTTIME: 00:00

WARM

BUILD

COPY

DELETE



Auf dem Touchscreen wird ein Popup-Fenster mit folgenden Optionen angezeigt:



20MM_BOX.G3DREM
PRINTTIME: 00:00

WARM

BUILD

COPY

DELETE



DRUCKEN (BUILD)
Tippen Sie auf diese Option, um den Druckvorgang zu starten und dabei nützliche Informationen und den Objektstatus anzuzeigen.

TIME REMAINING 10:26

WARM

20MM_BOX.G3DREM
EXTRUDER 102°C/220°C
PRINT TIME 0:00

0%





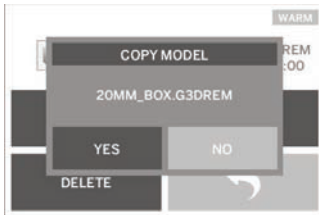


ABRECHEN (STOP) – Tippen Sie auf diese Option, um den Druck abzubrechen. Sie werden gefragt, ob Sie den Druckvorgang abbrechen oder fortsetzen möchten.
ANHALTEN (PAUSE) – Tippen Sie auf diese Option, um den Druckvorgang vorübergehend zu unterbrechen. Das Menü „Extras“ (Tools) wird angezeigt, und Sie können das Filament laden oder entfernen.
FORTSETZEN (PLAY) – Tippen Sie auf diese Option, um die Pause zu beenden und den Druckvorgang fortzusetzen.



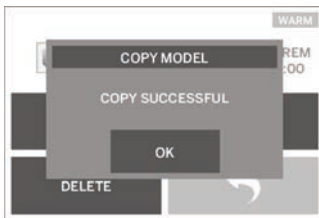
KOPIEREN (COPY)

Tippen Sie auf diese Option, um eine Modelldatei von einer SD-Karte auf den internen Speicher des Dremel 3D20 zu kopieren. Das Kopieren von Modellen vom Dremel 3D20 auf eine SD-Karte ist nicht möglich.



MODELL KOPIEREN (COPY MODEL)

Tippen Sie auf diese Option, um das Kopieren einer Modelldatei vom internen Speicher des Dremel 3D20 oder von einer SD-Karte zu bestätigen.



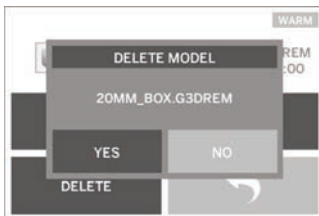
KOPIEREN ABGESCHLOSSEN (COPY MODEL SUCCESSFUL)

Eine Popup-Meldung mit dem Hinweis, dass die Modelldatei erfolgreich kopiert wurde.



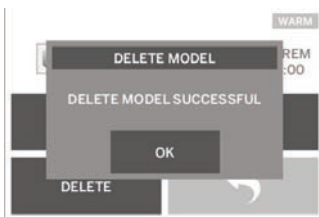
LÖSCHEN (DELETE)

Durch Tippen auf diese Schaltfläche wird die ausgewählte Modelldatei unwiderruflich vom internen Speicher des Dremel 3D20 oder von der SD-Karte gelöscht.



MODELL LÖSCHEN (DELETE MODEL)

Es wird ein Popup-Fenster angezeigt, in dem Sie das unwiderrufliche Löschen einer Modelldatei vom internen Speicher des Dremel 3D20 oder von der SD-Karte bestätigen müssen.



MODELL GELÖSCHT (DELETE MODEL SUCCESSFUL)

Eine Popup-Meldung mit dem Hinweis, dass die Modelldatei erfolgreich gelöscht wurde.

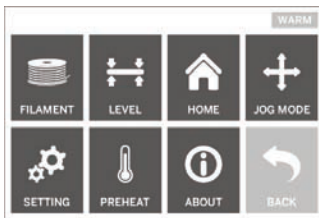


ZURÜCK (RETURN)

Tippen Sie auf diese Option, um zum vorherigen Menü zurückzukehren.



EXTRAS (TOOLS)

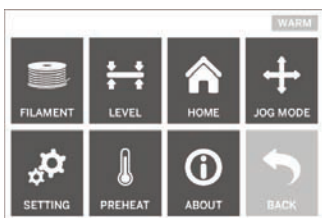


FILAMENT

Laden (Load) – Tippen Sie auf diese Option, damit der Dremel 3D20 den Druckkopf aufheizt und das Filament geladen werden kann (für Hinweise zum Laden von Filamenten siehe Seite 45). Auf dem Touchscreen wird eine Statusleiste angezeigt, und Sie werden informiert, sobald das Filament geladen werden kann.

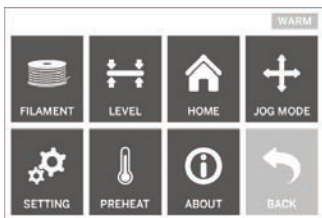
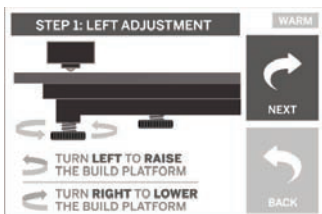
Entfernen (Unload) – Tippen Sie auf diese Option, damit der Dremel 3D20 den Druckkopf aufheizt und das Filament entfernt werden kann (für Hinweise zum Entfernen von Filamenten siehe Seite 49). Auf dem Touchscreen wird eine Statusleiste angezeigt, und Sie werden informiert, sobald das Filament entfernt werden kann.





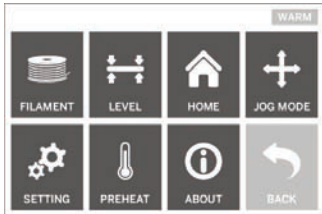
AUSR. (LEVEL)

Tippen Sie auf diese Option, um mit der Ausrichtung der Druckplattform zu beginnen (für Hinweise zum Ausrichten der Druckplattform siehe Seite 47). Auf dem Touchscreen werden Anweisungen zum Ausrichten der Druckplattform angezeigt.



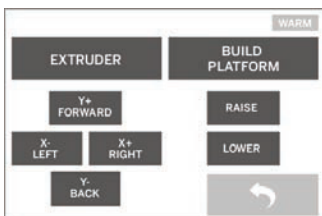
POS1 (HOME)

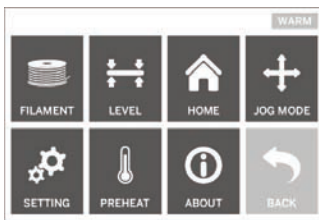
Tippen Sie auf diese Option, um den Druckkopf und die Druckplattform zur Nullposition zu bewegen.



POSITION (JOG MODE)

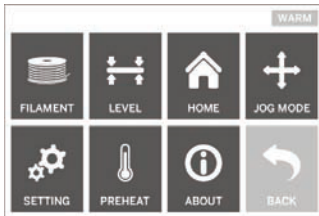
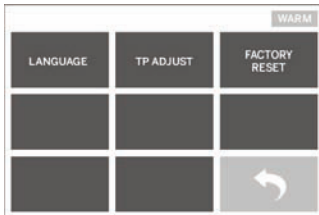
Tippen Sie auf diese Option, um die Optionen zum Positionieren des Druckkopfs und der Druckplattform entlang der X-Achse, Y-Achse und Z-Achse anzuzeigen.





EINST. (SETTING)

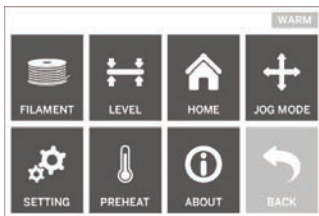
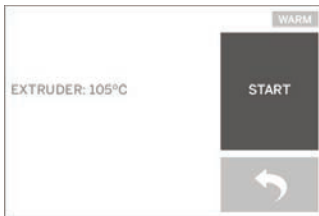
Tippen Sie auf diese Option, um die werkseitigen Spracheinstellungen zu ändern oder wiederherzustellen.



VORHEIZ (PREHEAT)

Durch Tippen auf diese Option wird der Druckkopf erhitzt, um den Druckvorgang zu starten oder überschüssiges Material zu entfernen.

Auf dem Touchscreen wird die aktuelle Druckkopf Temperatur angezeigt. Sie können jederzeit auf den Touchscreen tippen, um den Heizvorgang zu starten oder abbrechen.



INFO (ABOUT)

Tippen Sie auf diese Option, um die Seriennummer, die Firmware-Version, die Nutzungsdauer (in Stunden) und den 3D-Status des Dremel 3D20 anzuzeigen.





ZURÜCK (RETURN)

Tippen Sie auf diese Option, um zum vorherigen Menü zurückzukehren.

INSTALLIEREN UND REGISTRIEREN DER SOFTWARE

Richten Sie ganz einfach ein Konto auf Dremel3D.com ein, um auf die vielen fantastischen Designs und Sammlungen zuzugreifen, die Sie inspirieren und Ihre Kreativität beflügeln.

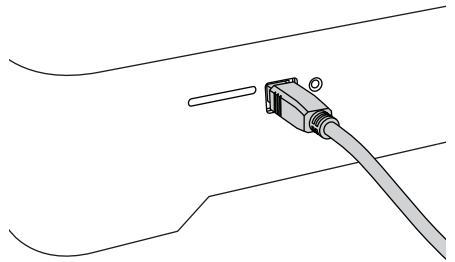
INSTALLIEREN DER SOFTWARE VON DREMEL3D.COM

1. Öffnen Sie die Website Dremel3D.com.
2. Auf einem PC: Laden Sie die Software herunter und installieren Sie sie auf dem PC.
 - a. Laden Sie die Dremel 3D-Software von Dremel3D.com herunter.
 - b. Klicken Sie in dem Ordner, in den Sie die Datei geladen haben, auf die Datei „Dremel 3D_(Versionsnummer).exe“. Der Installationsassistent wird geöffnet.
 - c. Folgen Sie den Anweisungen, um die Software auf dem Computer zu installieren.
3. Auf einem Mac: Laden Sie die Software herunter und installieren Sie sie auf dem Mac.
 - a. Klicken Sie auf „Downloads“, und wählen Sie die Dremel 3D-Software aus. Doppelklicken Sie auf die zip-Datei. Die Datei „Dremel 3D INSTALLER.DMG“ wird angezeigt.
 - b. Doppelklicken Sie auf „Dremel 3D INSTALLER.DMG“, um die Datei in einem neuen Fenster zu öffnen. Ziehen Sie die Installationsdatei in den Ordner „ANWENDUNGEN“ (APPLICATIONS).
 - c. Wenn das Fenster „Zum Installieren ziehen“ (Drag to Install) nicht geöffnet wird, navigieren Sie in Ihrem Gerätebereich zum Dremel 3D-Treiber. Klicken Sie auf Dremel 3D, um die Software herunterzuladen.

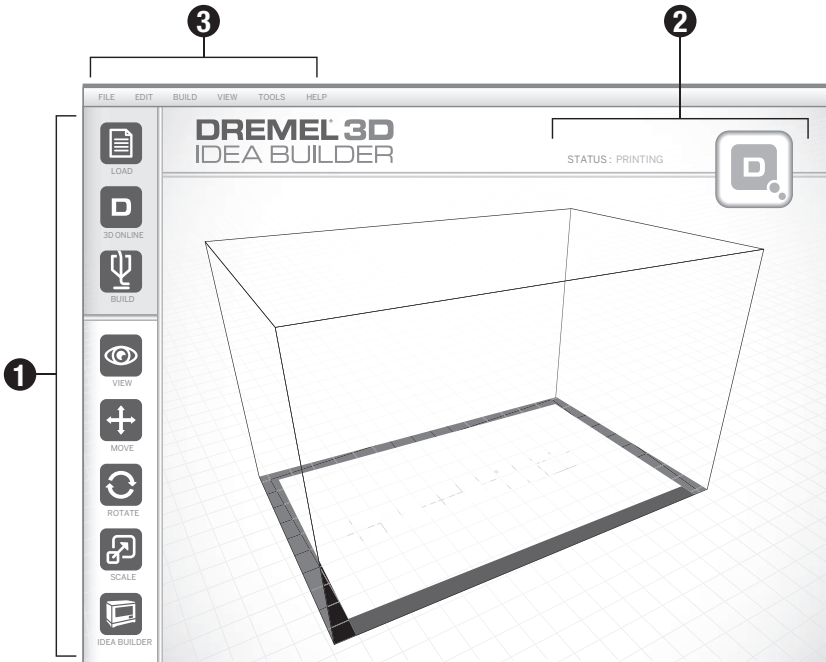
HINWEIS: Safari-Benutzer müssen die Datei INSTALLER.DMG nicht entpacken.
 - d. Klicken Sie auf „WEITER“ (NEXT), um den Einrichtungsassistenten zu starten. Der Assistent zur Einrichtung der Dremel 3D-Software führt Sie Schritt für Schritt durch die Installation der Software auf dem Computer. Klicken Sie auf „WEITER“ (NEXT), um den Einrichtungsassistenten zu starten.
4. Erstellen Sie auf Dremel3D.com ein Dremel Maker-Konto, um Dremel 3D20-Modelle herunterzuladen.

USB-KABEL ANSCHLIESSEN

1. Schalten Sie den Netzschalter aus.
2. Verbinden Sie den Dremel 3D20 über das USB-Kabel mit dem Computer.
3. Öffnen Sie die Software.
4. Schalten Sie den Dremel 3D20 über den Netzschalter ein, um Ihren Computer mit dem Dremel 3D20 zu synchronisieren.



ÜBERBLICK ÜBER DIE DREMEL-SOFTWARE



WERKZEUGLEISTENSYMBOLE

Über die Symbole in der Werkzeugleiste der Dremel 3D-Software können Sie Objekte laden, teilen, drucken, ansehen, bewegen, drehen und skalieren.

Laden (Load) – Klicken Sie auf das Symbol, und wählen Sie eine der von Dremel3D.com heruntergeladenen Dateien aus. Das ausgewählte Modell wird auf dem Startbildschirm des Dremel 3D20 angezeigt. Auf diesem Startbildschirm wird eine Simulation des Druckblatts Ihres Dremel 3D20 angezeigt.

3D-Speicher (3D Store) – Durch Klicken auf dieses Symbol wird die Website Dremel3D.com in Ihrem Standardbrowser aufgerufen.

Drucken (Build) – In der Dremel 3D-Software können Sie die Einstellungen für die Druckqualität ändern. Außerdem können Sie hier die Druckdauer anpassen.

- Exportieren (Export)** – Mit dieser Option wird die Datei mit dem Modell auf der lokalen Festplatte oder einem mobilen Datenträger gespeichert, um es zu einem späteren Zeitpunkt zu drucken.
- Auflösung (Resolution)** – Modelle, für die die Standardauflösung festgelegt ist, werden mit den Standardeinstellungen gedruckt. Drucke mit Standardauflösung erfolgen schnell und weisen eine gute Oberflächenqualität auf. Modelle mit der Auflösung „Niedrig“ (Low) werden mit dickeren Schichten und in kürzerer Zeit gedruckt. Bei Modellen mit der Auflösung „Hoch“

(High) sind die Schichten dünner, und der Druck dauert länger.

- Stütze (Support)** – Aktivieren Sie dieses Kontrollkästchen, damit das Objekt mit Stützstrukturen gedruckt wird. Die Dremel 3D20-Software erzeugt automatisch Stützen für alle überstehenden Bereiche in Ihrem Objekt. Nachdem das Objekt von der Druckplattform genommen wurde, lassen sich diese ganz einfach entfernen.

Ansicht (View) – Ändert die Ansicht des Dremel 3D20-Startbildschirms in einen von sechs Betrachtungswinkeln.

TIPP: Sie können den Dremel 3D20-Startbildschirm in einem beliebigen Winkel anzeigen, indem Sie die Maus bei gedrückter rechter Maustaste bewegen. Mithilfe des Mauseisens können Sie die Ansicht außerdem vergrößern und verkleinern.

Verschieben (Move) – Ändert die Position des Objekts auf der Druckplattform durch Verschieben entlang der X-, Y- und Z-Achse. Außerdem können Sie das Objekt auf der Druckplattform zentrieren und sicherstellen, dass sich das Objekt auf der Druckplattform befindet. Für die Achsenpositionen können benutzerdefinierte Werte eingegeben werden.

X	Verschiebt das Modell im Druckbereich nach links und rechts.
Y	Verschiebt das Modell im Druckbereich nach vorne und hinten.
Z	Verschiebt das Modell im Verhältnis zur Druckplattform nach oben oder unten.

- Auf Druckplattform** (On Platform) – Positioniert das Modell auf der Druckplattform.
- Mittelpunkt** (Center) – Zentriert das Modell in der Mitte des 3D-Druckbereichs.
- Zurücksetzen** (Reset) – Bewegt das Modell zurück in die Ursprungsposition.

Drehen (Rotate) – Ändert die Ausrichtung des Objekts auf der Druckplattform durch Verschieben entlang der X-, Y- und Z-Achse. Sie können das Objekt entweder um +/- 90 Grad drehen oder einen beliebigen Wert für die Position auf der Achse eingeben. Sie können das Modell auch auf die ursprüngliche Ausrichtung zurücksetzen.

Skalieren (Scale) – Ändert die Größe des Objekts auf der Druckplattform auf Grundlage der X-, Y- und Z-Achse. Sie können einen benutzerdefinierten Skalierungswert für X, Y und Z eingeben oder die Objektgröße um einen prozentualen Anteil der Originalgröße ändern.

X	Dreht das Modell zum Druckbereich hin oder von diesem weg.
Y	Dreht das Modell zur linken oder rechten Seite des Druckbereichs.
Z	Dreht das Modell auf der Druckplattform im oder gegen den Uhrzeigersinn.

- Maximieren** (Maximize) – Skaliert das Modell gleichmäßig auf die größtmögliche Druckgröße.
- Zurücksetzen** (Reset) – Macht alle Skalierungsänderungen rückgängig. Das Modell erhält wieder seine ursprüngliche Größe.

TIPP: Wenn das Objekt in Zoll entworfen wurde, können Sie es um 2540 % vergrößern, um die Maße in Millimeter zu konvertieren.

Idea Builder – Zeigt den Status des Dremel 3D20 an. Während der Dremel 3D20 mit einem Computer verbunden ist, können Sie sehen, ob das Gerät einsatzbereit ist oder ob gerade ein Objekt gedruckt wird. Auch die Temperatur des Druckkopfs wird hier angezeigt.

DRUCKSTATUS

Die Dremel 3D-Software zeigt den Status des Dremel 3D20 ständig an.

- Im oberen Bereich wird der aktuelle Status des Dremel 3D20 und des Druckobjekts angezeigt.
- Durch den Statuskreis oben rechts wird der Fortschritt grafisch dargestellt.

MENÜS

Dateimenü

- Datei laden** (Load File) – Wählen Sie diese Option, um eine Modelldatei (.STL oder .3dremel) von Ihrem Computer oder einem mit diesem verbundenen externen Speichergerät zu laden. Nachdem die Modelldatei geladen wurde, können Sie sie bearbeiten.

HINWEIS: Es ist nicht möglich, Modelldateien von einer in den Dremel 3D20 eingesetzten SD-Karte auf einen Computer zu kopieren. Die SD-Karte muss direkt mit dem Computer verbunden sein.

- Druckplattform speichern** (Save Build Platform) – Speichert alle Objekte und das Layout der aktuellen Druckplattform in einer .3dremel-Datei. Wählen Sie diese Option, um eine Modelldatei auf Ihrem Computer oder einem mit diesem verbundenen externen Speichergerät zu speichern.

HINWEIS: Es ist nicht möglich, Modelldateien auf einer in den Dremel 3D20 eingesetzten SD-Karte zu speichern. Die SD-Karte muss direkt mit dem Computer verbunden sein.

- Speichern unter...** (Save as...) – Speichert die aktuelle Druckplattform mit einem neuen Namen. Die ursprüngliche .3dremel-Datei wird dabei nicht überschrieben.
- Beispiele** (Examples) – Wählen Sie diese Option, um eine Liste der kostenlosen Modelldateien aufzurufen, die in der Dremel 3D-Software enthalten sind. Anhand dieser Dateien lässt sich hervorragend testen, ob der Dremel 3D20 ordnungsgemäß funktioniert.
- Zuletzt verwendete Dateien** (Recent Files) – Wählen Sie diese Option, um eine Liste der zuletzt verwendeten Modelldateien anzuzeigen.
- Einstellungen** (Preferences) – Wählen Sie diese Option, um die Sprache der Dremel 3D-Software und die Einstellungen für automatische Updates zu ändern.
- Beenden** (Quit) – Zum Schließen der Dremel 3D-Software klicken Sie oben rechts auf das „X“. Wenn eine Modelldatei geöffnet ist, werden Sie gefragt, ob Sie diese vor dem Schließen speichern möchten.

Menü „Bearbeiten“ (Edit)

- Rückgängig** (Undo) – Wählen Sie diese Option, um die letzte Änderung an der Modelldatei rückgängig zu machen. Durch mehrfaches Auswählen der Option werden die letzten Änderungsschritte in umgekehrter Reihenfolge rückgängig gemacht.
- Wiederholen** (Redo) – Wählen Sie diese Option, um die zuletzt rückgängig gemachte Änderung an der Modelldatei wiederherzustellen. Durch mehrfaches Auswählen der Option werden die zuletzt rückgängig gemachten Änderungsschritte in umgekehrter Reihenfolge wiederhergestellt.
- Alle auswählen** (Select All) – Wählen Sie diese Option, um alle auf den 3D Build-Startbildschirm geladenen Modelldateien auszuwählen.
- Duplizieren** (Duplicate) – Wählen Sie diese Option, um eine ausgewählte Modelldatei zu vervielfältigen.
- Löschen** (Delete) – Wählen Sie diese Option, um eine ausgewählte Modelldatei zu löschen.

Menü „Drucken“ (Build)

HINWEIS: Der Dremel 3D20 wird nur erkannt, wenn er eingeschaltet ist.

- Trennen** (Disconnect) – Wählen Sie diese Option, um den Dremel 3D20 vom Computer zu trennen.
- Drucken** (Build) – Wählen Sie diese Option, um Ihren Entwurf in eine druckbare Datei zu konvertieren. Sie werden aufgefordert, das Modell als .3dremel-Datei zu speichern, damit der Dremel 3D20 mit dem Druck beginnen kann.

Menü „Ansicht“ (View)

- Ändert die Ansicht des 3D Build-Startbildschirms in einen von sieben Betrachtungswinkeln.
- Modellumriss anzeigen** (Show Model Outline) – In dieser Ansicht werden die Umriss des Modells angezeigt, um eine übersichtlichere Darstellung zu erhalten.
- Steilen Überhang anzeigen** (Show Steep Overhang) – In dieser Ansicht werden die Bereiche des Objekts hervorgehoben, die spitze Winkel enthalten und eventuell gestützt werden müssen.

Menü „Extras“ (Tools)

- Bedienfeld** (Control Panel) – Wählen Sie diese Option, um eine manuelle Diagnose des Dremel 3D20 durchzuführen. Um dieses Menü aufzurufen, muss der Dremel 3D20 mit einem Computer verbunden sein.
- Firmware aktualisieren** (Update Firmware) – Wählen Sie diese Option, um die neueste Firmware auf dem Dremel 3D20 zu installieren. Für das Firmware-Update muss der Dremel 3D20 über ein USB-Kabel mit einem Computer verbunden werden. Klicken Sie dann auf die neueste Version der Firmware, und wählen Sie „Hochladen“ (Upload). Die Firmware des Dremel 3D20 wird aktualisiert. Nach Abschluss des Firmware-Updates müssen Sie das Gerät neu starten (ein- und ausschalten).

Hinweis: Firmware-Updates werden beim Start der Dremel 3D-Software automatisch heruntergeladen. Sie werden informiert, wenn eine neue Firmware-Version verfügbar ist.

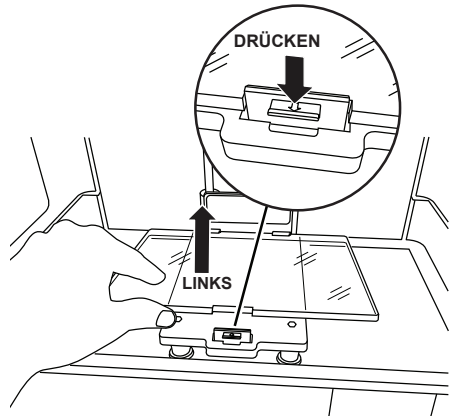
Menü „Hilfe“ (Help)

- Hilfethemen** (Help Contents) – Wählen Sie diese Option, um die Hilfe- und Supportinformationen auf www.Dremel3D.com aufzurufen.
- Update suchen** (Check for Update) – Wählen Sie diese Option, um manuell nach Firmware- und Software-Updates zu suchen.
- Info** (About) – Wählen Sie diese Option, um die aktuelle Softwareversion des Dremel 3D anzuzeigen.

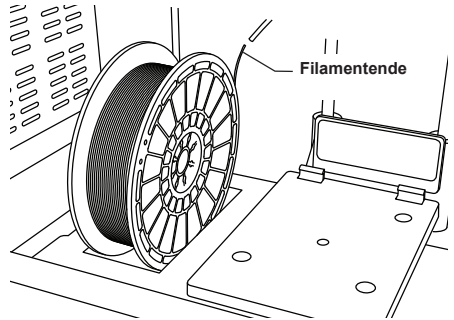
DRUCKVORBEREITUNG

⚠️ WARNUNG BEACHTEN SIE BEI DER VERWENDUNG DES DREMEL 3D20 ALLE WARNUNGEN UND SICHERHEITSAUWEISUNGEN. ANDERNFALLS KANN ES ZU FEUER, GERÄTE- UND ANDEREN SACHSCHÄDEN SOWIE ZU PERSONENSCHÄDEN KOMMEN.

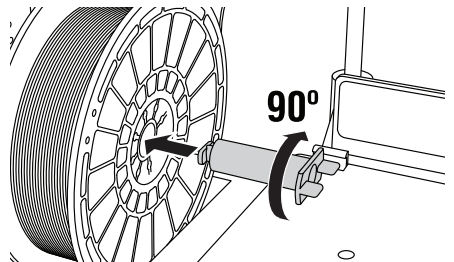
- Schalten Sie den Netzschalter aus.
- Nehmen Sie die Abdeckung des Dremel 3D20 ab, um den Druckkopf und die Druckplattform besser erreichen zu können.
- Wenn die Druckplattform eingesetzt ist, entfernen Sie sie, indem Sie auf die Klemme vorne an der Druckplattform drücken und sie vom Sockel heben.



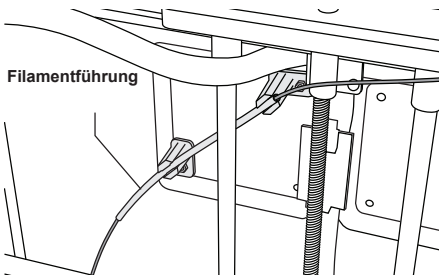
- Setzen Sie die Filamentspule auf die Spulenhalterung, und fixieren Sie sie mit der Spulennarretierung.
 - Setzen Sie die Filamentspule so auf die Spulenhalterung, dass sie von unten zum hinteren Bereich des Dremel 3D20 geführt wird.



- Führen Sie die Spulennarretierung in die Spulenhalterung ein, und drehen Sie sie um 90 Grad, sodass sie einrastet.



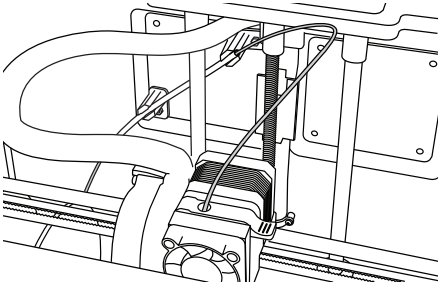
- Führen Sie das Filament durch das Führungsrohr. Nun kann das Filament in den Druckkopfeingang eingeführt werden (Abb. 8-10 im Handbuch). Dadurch wird sichergestellt, dass der Druckkopf beim Drucken auf minimalen Widerstand trifft.



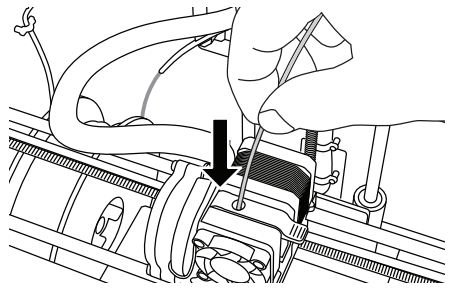
6. Bringen Sie Druckband auf der Druckplattform an.



7. Setzen Sie die Druckplattform ein, und sichern Sie sie mithilfe der Klemme.
8. Schließen Sie das Netzkabel an eine Steckdose an, und schalten Sie den Netzschalter ein. Das Vorheizen des Dremel 3D20 dauert ca. 30 Sekunden.
9. Tippen Sie auf dem Touchscreen des Dremel 3D20 auf „Filament“ (Filament) und dann auf „Filament laden“ (Load Filament).
10. Führen Sie das aus dem Führungsrohr austretende Filament in den Druckkopf ein (oben). Tippen Sie auf „Weiter“ (Next).



11. Der Druckkopf wird aufgeheizt. Sobald der Druckkopf „HEISS“ (HOT) und damit einsatzbereit ist, wird dies auf dem Touchscreen des Dremel 3D20 angezeigt.
12. Wenn der Dremel 3D20 bereit zum Extrudieren ist, führen Sie das Filament vorsichtig in den Druckkopf ein, bis es von selbst eingezogen wird.



⚠ WARNUNG BERÜHREN SIE DIE DRUCKKOPFDÜSE NICHT, WÄHREND DER DREMEL 3D20 IN BETRIEB IST ODER DIE TEMPERATUR ÜBER 60 °C (140 °F) LIEGT. DAS BERÜHREN DER DRUCKKOPFDÜSE WÄHREND DES BETRIEBS ODER VOR DEM ABKÜHLEN DER DÜSE KANN ZU VERLETZUNGEN FÜHREN.

13. Das Filament wird in den Druckkopf gezogen und tritt über die heiße Düse unten am Druckkopf wieder aus. Nachdem das Filament den Druckkopf verlassen hat, drücken Sie auf den Zurück-Pfeil, um den Ladevorgang abzuschließen. Entfernen Sie überschüssiges Filament vorsichtig, ohne die heiße Druckkopfdüse zu berühren.

HINWEIS: Der Dremel 3D20 wurde werkseitig durch Drucken von Objekten getestet. Dabei kamen unter Umständen Filamente mit einer anderen als der von Ihnen verwendeten Farbe zum Einsatz. Es kann sein, dass geringe Mengen dieser Filamente im Druckkopf verblieben sind. Lassen Sie daher beim ersten Laden das Filament so lange aus dem Druckkopf austreten, bis die Filamentfarbe einheitlich ist.

VORSICHT: Achten Sie beim Entfernen von Restmaterial besonders darauf, die Druckkopfdüse nicht zu beschädigen. Wenn die Druckkopfdüse beschädigt ist, funktioniert der Dremel 3D20 nicht ordnungsgemäß. Defekte Düsen müssen daher ausgetauscht werden.

14. Vergewissern Sie sich nach dem Laden des Filaments, dass die Druckkopfdüse frei von Restmaterial ist. Entfernen Sie ggf. vorhandene Rückstände vorsichtig mit einer Spitzzange.
15. Wenn das Filament nicht in den Druckkopf gezogen wird oder die Druckkopfdüse nicht verlässt, tippen Sie auf „Abbr.“ (Cancel). Tippen Sie auf „Einrichtung“ (Setup) und dann auf „Filament entfernen“ (Unload Filament). Wenn der Dremel 3D20 anzeigt, dass er bereit ist, entfernen Sie das Filament vorsichtig oben aus dem Druckkopf, und wiederholen Sie die oben beschriebenen Schritte zum Laden von Filament. Weitere Informationen finden Sie im Abschnitt zur Problembhebung.

VORBEREITEN DER DRUCKPLATTFORM

⚠ WARNUNG BERÜHREN SIE DIE DRUCKKOPFDÜSE NICHT, WÄHREND DER DREMEL 3D20 IN BETRIEB IST ODER DIE TEMPERATUR ÜBER 60 °C (140 °F) LIEGT. DAS BERÜHREN DER DRUCKKOPFDÜSE WÄHREND DES BETRIEBS ODER VOR DEM ABKÜHLEN DER DÜSE KANN ZU PERSONENSCHÄDEN FÜHREN.

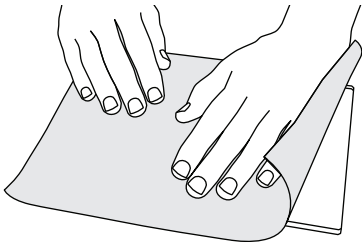
VORSICHT: Achten Sie vor jedem Druck darauf, dass die Druckplattform gemäß den Angaben von Dremel mit Druckband bedeckt ist. Die Verwendung von ungeeignetem Druckband kann zu Geräteschäden und Objekten von mangelhafter Qualität führen.

AUSRICHTEN DER DRUCKPLATTFORM

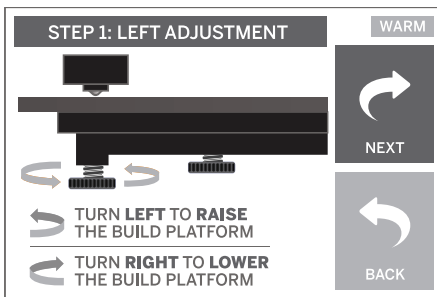
Es ist wichtig, die Druckplattform stets neu auszurichten, wenn Sie sie wieder eingesetzt oder ausgetauscht haben. Dadurch wird ein gleichmäßiger Abstand zur Druckkopfdüse sichergestellt. Entfernen Sie eventuell vorhandene Luftblasen zwischen der Druckplattform und dem Druckband. Wenn die Druckplattform nicht ordnungsgemäß ausgerichtet ist oder Luftblasen vorhanden sind, werden die Objekte unter Umständen nicht korrekt gedruckt.

Warten Sie, bis die Druckkopfdüse auf unter 60 °C (140 °F) abgekühlt ist, bevor Sie die Druckplattform ausrichten. Die Druckkopftemperatur kann auf dem Touchscreen angezeigt werden. (Siehe Seite 37.)

1. Die Druckplattform muss mit Druckband versehen sein. Wenn das Druckband nach dem Ausrichten aufgetragen wird, kann sich dies auf die Gleichmäßigkeit des Drucks auswirken.



2. Tippen Sie auf dem Touchscreen des Dremel 3D20 auf „Extras“ (Tools) und dann auf „Ausrichten“ (Level). (Siehe Seite 40.)
3. Der Druckkopf und die Druckplattform werden so positioniert, dass die Druckplattform eben ist. Richten Sie zuerst den vorderen linken Bereich der Druckplattform aus. Anhand der drei Fingerschrauben links, rechts und hinten unter der Druckplattform kann diese angehoben und gesenkt werden.



4. Setzen Sie das Ausrichtungswerkzeug zwischen den Druckkopf und die Druckplattform. Wenn das Ausrichtungswerkzeug nicht zwischen den Druckkopf und die Druckplattform passt, drehen Sie die entsprechende Fingerschraube gegen den Uhrzeigersinn, bis sich das Werkzeug mit etwas Widerstand zwischen den Druckkopf und

die Druckplattform schieben lässt. Wenn sich das Ausrichtungswerkzeug so leicht zwischen den Druckkopf und die Druckplattform schieben lässt, drehen Sie die entsprechende Fingerschraube im Uhrzeigersinn, bis sich das Werkzeug mit etwas Widerstand zwischen den Druckkopf und die Druckplattform schieben lässt.

TIPP: Anstelle des Ausrichtungswerkzeugs kann die Druckplattform auch mithilfe von handelsüblichem Druckerpapier ausgerichtet werden.

5. Tippen Sie auf „Weiter“ (Next), um die Druckplattform in Richtung der rechten Fingerschraube zu bewegen, und wiederholen Sie das oben beschriebene Verfahren.
6. Tippen Sie auf „Weiter“ (Next), um die Druckplattform in Richtung der hinteren Fingerschraube zu bewegen, und wiederholen Sie das oben beschriebene Verfahren.
7. Tippen Sie auf „Beenden“ (Finish), um die Ausrichtung abzuschließen.
8. Wiederholen Sie die Schritte 1 bis 6, um sicherzustellen, dass die Druckplattform absolut eben ist.

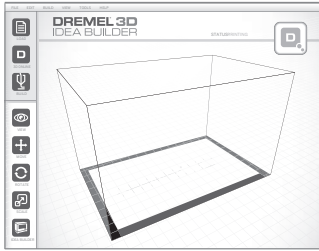
DRUCKVORGANG LÄUFT

⚠️ WARNUNG BEACHTEN SIE BEI DER VERWENDUNG DES DREMEL 3D20 ALLE WARNUNGEN UND SICHERHEITSAUWEISUNGEN. ANDERNFALLS KANN ES ZU FEUER, GERÄTE- UND ANDEREN SACHSCHÄDEN SOWIE ZU PERSONENSCHÄDEN KOMMEN.

HINWEIS: Die Funktion des Dremel 3D20 wurde werkseitig durch Drucken von Testobjekten überprüft. Dabei kamen unter Umständen Filamente mit einer anderen als der von Ihnen verwendeten Farbe zum Einsatz. Es kann sein, dass geringe Mengen dieser Filamente im Druckkopf verblieben sind. Daher ist es möglich, dass Ihr erstes Objekt zunächst teilweise die Farbe des Testfilaments aufweist.

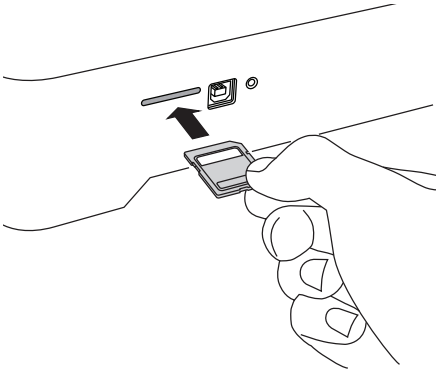
Beim Drucken mit dem Dremel 3D20 stehen Ihnen zwei Optionen zur Verfügung:

1. **SD-Karte (SD Card)** – Direkt von der SD-Karte drucken. Auf der SD-Karte sind bereits einige Modelldateien installiert. Sie können die Karte direkt in den Drucker einsetzen, um sofort mit dem Drucken zu beginnen. Außerdem können Sie neue .G3Drem-Dateien von der Dremel 3D-Software auf der SD-Karte speichern.
2. **Computer (Computer)** – Über ein USB-Kabel direkt vom Computer drucken.



DRUCKEN VON SD-KARTE

1. Setzen Sie die SD-Karte mit Ihrem Modell in den SD-Kartensteckplatz rechts am Dremel 3D20 ein. Im Lieferumfang des Dremel 3D20 ist eine SD-Karte mit kostenlosen, druckfertigen Modelldateien enthalten. Außerdem können Sie neue .G3Drem-Dateien von der ebenfalls im Lieferumfang enthaltenen Dremel 3D-Software auf der SD-Karte speichern.



2. Achten Sie darauf, eine ausreichende Menge Filament für den Druck zu laden (siehe Seite 45).

TIPP: Um vor dem Drucken festzustellen, ob das Filament für das Objekt ausreicht, wiegen Sie das Filament mit der Spule, und ziehen Sie das Gewicht der leeren Spule ab. Die Dremel 3D-Software zeigt das ungefähre Gewicht für jedes Modell an.

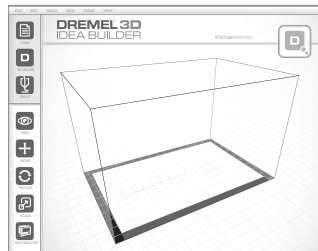
HINWEIS: Modelldateien können nicht direkt im Dremel 3D20 geändert werden. Verwenden Sie .G3Drem-Dateien, wenn Sie direkt von einer SD-Karte drucken.

3. Achten Sie darauf, dass die Druckplattform mit Druckband versehen und eben ausgerichtet ist (siehe Seite 46).
4. Tippen Sie auf dem Touchscreen auf „Drucken“ (Build) und dann auf die Option „SD-Karte“ (SD Card), und scrollen Sie mithilfe der Auf-/Ab-Pfeile.
5. Tippen Sie auf das gewünschte Modell.
6. Der Dremel 3D20 richtet zunächst den Druckkopf und die Druckplattform aus. Anschließend beginnt der Aufheizvorgang, der einige Minuten dauern kann. Während des Aufheizens erreicht der Druckkopf die erforderliche Temperatur zum Drucken mit PLA. Sobald die Drucktemperatur erreicht ist, wird das Modell gedruckt.
7. Wenn der Druck abgeschlossen ist, wird auf dem Touchscreen die Meldung „Objekt fertiggestellt“ (Object Finished) angezeigt. Tippen Sie zur Bestätigung auf das Kontrollkästchen.
8. Warten Sie, bis auf dem Touchscreen angezeigt wird, dass der Druckkopf „KALT“ (COOL) ist, und entnehmen Sie dann das Objekt. Anweisungen zum Entnehmen von Objekten finden Sie weiter unten im Abschnitt „Entnehmen fertiger Objekte“.

ABBRECHEN EINES OBJEKTDRUCKS IM DREMEL 3D20

Um den Objektdruck während des Aufwärmens oder Druckens abzubrechen, tippen Sie auf dem Touchscreen auf die Schaltfläche „ABBRECHEN“ (STOP). Die Meldung „Druck jetzt abbrechen?“ (Cancel build now?) wird angezeigt. Tippen Sie auf „Ja“ (Yes), um den Druck abzubrechen, oder auf „Nein“ (No), um den Vorgang fortzusetzen. Warten Sie, bis der Druckkopf und die Druckplattform vollständig abgekühlt sind, bevor Sie in den Druckbereich greifen.

DRUCKEN VOM COMPUTER



DIREKT VOM COMPUTER DRUCKEN

1. Installieren Sie die Dremel 3D-Software auf Ihrem Computer. Ausführliche Informationen hierzu finden Sie unter „Installieren und Registrieren der Software“ auf Seite 42. Zum korrekten Installieren der Dremel 3D-Software benötigen Sie Administratorrechte auf Ihrem Computer.
2. Verbinden Sie den Dremel 3D20 über das im Lieferumfang enthaltene USB-Kabel mit dem Computer.
3. Achten Sie darauf, eine ausreichende Menge Filament für den Druck zu laden (siehe Seite 45).

TIPP: Um vor dem Drucken festzustellen, ob das Filament für das Objekt ausreicht, wiegen

Sie das Filament mit der Spule, und ziehen Sie das Gewicht der leeren Spule ab. Die Dremel 3D-Software zeigt das ungefähre Gewicht für jedes Modell an.

4. Vorbereiten der Druckplattform (siehe Seite 46).
5. Starten Sie die Dremel 3D-Software. Ihr Computer ist nun mit dem Dremel 3D20 verbunden.
6. Klicken Sie auf „Laden“ (Load), und wählen Sie eine der von Dremel3d.com heruntergeladenen oder eine geeignete .STL- oder .G3DREM-Datei aus. Das ausgewählte Objekt wird auf dem Startbildschirm der Dremel 3D-Software angezeigt. Der Startbildschirm der Software ist eine Simulation des Druckblatts Ihres Dremel 3D20.
7. In der Software können Sie das Objekt ansehen, verschieben, drehen und skalieren, um ein optimales Ergebnis zu erhalten.
8. Klicken Sie zum Vorbereiten der Modelldatei auf „Drucken“ (Build), und speichern Sie die Datei. Sobald Sie die Druckeinrichtung abgeschlossen und die Datei gespeichert haben, beginnt die Dremel 3D-Software mit der Vorbereitung der Modelldatei.
9. Wenn die Modelldatei bereit ist, klicken Sie auf „Drucken“ (Build), um den Druckvorgang zu starten.
 - a. Wenn die Dremel 3D-Software den Dremel 3D20 noch nicht erkannt hat, werden Sie aufgefordert, den USB-Anschluss auszuwählen, über den das Gerät angeschlossen ist. Wählen Sie den entsprechenden Anschluss aus, und klicken Sie auf „OK“.
 - b. Wenn der verwendete USB-Anschluss nicht angezeigt wird, klicken Sie auf „Erneut suchen“ (Rescan). Wiederholen Sie Schritt 10. a.
10. Der Dremel 3D20 richtet zunächst den Druckkopf und die Druckplattform aus. Anschließend beginnt der Aufheizvorgang, der einige Minuten dauern kann. Während des Aufheizens erreicht der Druckkopf die erforderliche Temperatur zum Drucken mit PLA. Sobald die Drucktemperatur erreicht ist, wird das Modell gedruckt.
11. Wenn der Druck abgeschlossen ist, wird auf dem Touchscreen die Meldung „Objekt fertiggestellt“ (Object Finished) angezeigt. Tippen Sie zur Bestätigung auf das Kontrollkästchen.
12. Warten Sie, bis auf dem Touchscreen angezeigt wird, dass der Druckkopf „COOL“ (KALT) ist, und entnehmen Sie dann das Objekt. Anweisungen zum Entnehmen von Objekten finden Sie weiter unten im Abschnitt „Entnehmen fertiger Objekte“.

ABBRECHEN EINES OBJEKTRUCKS IM DREMEL 3D20

Um den Objektdruck während des Aufwärmens oder Druckens abzubrechen, tippen Sie auf dem Touchscreen auf die Schaltfläche „ABBRECHEN“ (STOP). Die Meldung „Druck jetzt abbrechen?“ (Cancel build now?) wird angezeigt. Tippen Sie auf „Ja“ (Yes), um den Druck abzubrechen, oder auf „Nein“ (No), um den Vorgang fortzusetzen. Warten Sie, bis der Druckkopf und die Druckplattform vollständig abgekühlt sind, bevor Sie in den Druckbereich greifen.

ENTNEHMEN FERTIGER OBJEKTE

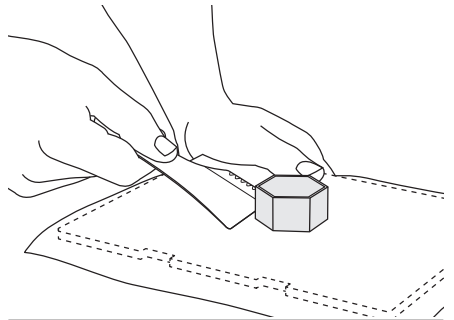
ENTFERNEN VON OBJEKTEN VON DER DRUCKPLATTFORM

⚠️ WARNUNG TRAGEN SIE PERSÖNLICHE SCHUTZAUSRÜSTUNG. DURCH SCHUTZAUSRÜSTUNG WIE HITZEBESTÄNDIGE HANDSCHUHE UND EINE SCHUTZBRILLE WIRD DIE VERLETZUNGSGEFAHR REDUZIERT.

⚠️ WARNUNG ACHTEN SIE AUF IHRE KÖRPERHALTUNG, WENN SIE OBJEKTE MIT EINEM WERKZEUG VON DER DRUCKPLATTFORM ENTFERNEN. DAS ABRÜTSCHEN MIT DEM WERKZEUG WÄHREND DES ENTFERNENS DES OBJEKTS VON DER DRUCKPLATTFORM KANN BEI FALSCHER KÖRPERHALTUNG ZU PERSONENSCHÄDEN FÜHREN.

VORSICHT: Achten Sie darauf, die Druckplattform beim Entfernen von Objekten nicht zu zerkratzen. Kratzer auf der Druckplattform führen zu Druckfehlern.

1. Warten Sie, bis der Druckkopf abgekühlt ist, bevor Sie das Objekt herausnehmen.
2. Nehmen Sie die Druckplattform zusammen mit dem Objekt aus dem Druckbereich.
3. Ziehen Sie das Objekt von der Druckplattform ab. Verwenden Sie dazu bei Bedarf vorsichtig das Werkzeug zum Entfernen von Objekten. Entfernen Sie bei Bedarf das Druckband zusammen mit dem Objekt von der Druckplattform. Anschließend können Sie das Druckband vom Objekt entfernen.



ENTFERNEN VON STÜTZEN (SOFERN ERFORDERLICH)

Entfernen Sie schwer zu erreichende Stützen im Inneren des Objekts mit einer kleinen Spitzzange.

ENTFERNEN UND ERSETZEN DER FILAMENTSPULE

VORSICHT: Ändern Sie die Farbe des Filaments oder der Spule nicht während des Drucks. Andernfalls wird der Druckvorgang abgebrochen, und es kann zu Schäden am Druckkopf kommen.

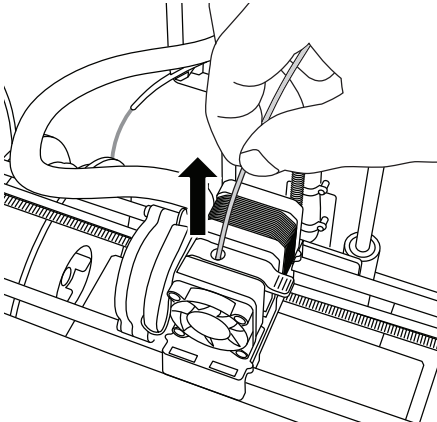
1. Tippen Sie auf dem Touchscreen des Dremel 3D20 auf „Einrichtung“ (Setup) und dann auf „Filament“ (Filament).
2. Tippen Sie auf „Entfernen“ (Unload).
3. Der Druckkopf wird aufgeheizt, und der Dremel 3D20 gibt ein Signalton aus, wenn das Filament entfernt werden kann.

Anweisungen zum Einsetzen einer neuen Filamentspule finden Sie im Abschnitt „Einsetzen von Filamenten“ auf Seite 45.

⚠ WARNUNG ZIEHEN SIE DAS FILAMENT ERST HERAUS, WENN EINE ENTSPRECHENDE MELDUNG AUF DEM BILDSCHIRM ANGEZEIGT WIRD. ANDERNFALLS KANN ES ZU SCHÄDEN AM DRUCKKOPF KOMMEN.

⚠ WARNUNG BERÜHREN SIE DIE DRUCKKOPFDÜSE NICHT, WÄHREND DER DREMEL 3D20 IN BETRIEB IST ODER DIE TEMPERATUR ÜBER 60 °C (140 °F) LIEGT. DAS BERÜHREN DER DRUCKKOPFDÜSE WÄHREND DES BETRIEBS ODER VOR DEM ABKÜHLEN DER DÜSE KANN ZU PERSONENSCHÄDEN FÜHREN.

4. Wenn das Signal ertönt, ziehen Sie das Filament vorsichtig vollständig aus dem Druckkopf heraus.



HINWEIS: Es kann sein, dass eine geringe Menge des Filaments im Druckkopf verbleibt. Daher ist es möglich, dass Ihr nächstes Objekt zunächst teilweise die Farbe des Testfilaments aufweist. Lassen Sie das neue Filament deshalb erst vollständig austreten, bevor Sie mit dem Druck des nächsten Objekts beginnen, um eine einheitliche Farbe zu erhalten.

5. Wenn sich das Filament nicht problemlos aus dem Druckkopf ziehen lässt, tippen Sie auf den Zurück-Pfeil. Tippen Sie auf „Einrichtung“ (Setup) und dann auf „Vorheizen“ (Preheat). Wählen Sie die Höchsttemperatur aus, und warten Sie 15 Minuten. Tippen Sie anschließend auf die Pfeiltaste, und wiederholen Sie die Schritte 1 bis 5.

HINWEIS: Beim Entfernen des Filaments verbleiben unter Umständen Materialreste in der Druckkopfdüse. Diese Rückstände sollte mithilfe des Werkzeugs zum Entfernen von Verstopfungen entfernt werden. Führen Sie das Werkzeug dazu oben in den Druckkopfeingang ein. Dadurch wird noch vorhandenes Filament durch die Druckkopfdüse herausgedrückt.

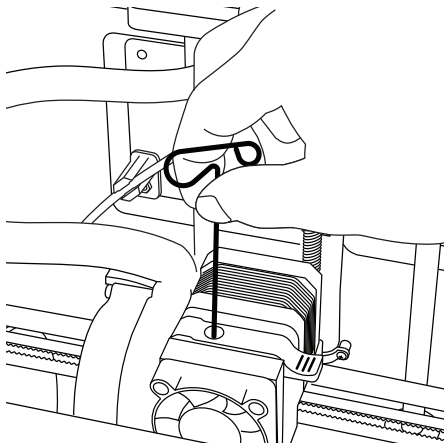
WARTUNG UND PROBLEMBEHEBUNG

Problem	Ursache	Korrekturmaßnahme
Druckkopf drückt außerhalb der Mitte.	Der Dremel 3D20 erkennt die exakte Position des Druckkopfs nicht mehr und kann nicht drucken.	Durch Zurücksetzen des Druckkopfs zur Ausgangsposition wird der Dremel 3D20 neu kalibriert. Brechen Sie den Objektdruck ab, leeren Sie die Druckplattform, bringen Sie den Druckkopf zurück in die Ausgangsposition, und starten Sie den Druck neu.
Das PLA wird nicht extrudiert oder haftet nicht korrekt am Druckband.	Möglicherweise ist die Druckplattform nicht am Druckkopf ausgerichtet.	Durch Ausrichten der Druckplattform am Druckkopf wird die Objektqualität verbessert. Brechen Sie den Objektdruck ab, richten Sie die Druckplattform aus, und starten Sie den Druck neu.
Die Dremel 3D-Software oder der Computer friert während der Verwendung ein.	Hin und wieder kommt es zu Software-Fehlern, sodass das Programm einfriert.	Speichern Sie in diesem Fall nach Möglichkeit alle geöffneten Dateien, und starten Sie entweder die Dremel 3D-Software oder den Computer neu.
Der Dremel 3D20 friert vor Druckbeginn ein.	Möglicherweise hat der Dremel 3D20 widersprüchliche Befehle erhalten.	Schalten Sie das Gerät über den Netzschalter aus, warten Sie 30 Sekunden, und schalten Sie es wieder ein.
Beim Laden der 3D-Datei wird die Warnmeldung angezeigt, dass die Datei nicht geschlossen wurde.	Die 3D-Datei wurde nicht korrekt erstellt und weist offene Flächen auf.	Öffnen Sie die 3D-Datei mit einem CAD-Bearbeitungsprogramm, und schließen Sie alle offenen Flächen.
Das Stützenmaterial lässt sich bei der Reinigung nicht entfernen, sodass das fertigestellte Objekt eine minderwertige Qualität aufweist.	Die Ausrichtung des Objekts ist nicht optimal.	Richten Sie die 3D-Datei in Dremel 3D neu aus, um die Menge an Stützenmaterial zu minimieren, oder positionieren Sie das Stützenmaterial auf einer weniger exponierten Fläche.
Am Ende des Drucks kommt es zu „Bandsalat“.	Eine Schicht des Objekts haftet nicht korrekt, das Modell wurde mit zu geringem Kontakt zwischen Oberfläche und Druckplattform gespeichert oder das Objekt wurde ohne Auswahl von Stützen über der Druckplattform schwebend gedruckt.	Verwenden Sie die Vorschau-Funktion in Dremel 3D, um die Höhe und Position der ersten Schicht anzuzeigen. Drucken Sie ggf. Stützen.
Das Objekt wird nur teilweise gedruckt.	Das Filament ist aufgebraucht. Filamentstau während des Druckvorgangs.	Setzen Sie ein neues Filament ein, und wiederholen Sie den Druck. Siehe „Es tritt kein Filament aus“.
Es tritt kein Filament aus.	Der Druckkopf ist verstopft.	Drücken Sie das Filament mithilfe des Werkzeugs zum Entfernen von Verstopfungen heraus. Kontaktieren Sie den Kundendienst.
Der Druckkopf kehrt nicht in die Ausgangsposition zurück.	Es liegt ein Leitungsfehler am Endschalter vor.	Kontaktieren Sie den Kundendienst.
Es entstehen Kunststofffäden oder ausgefrante Kunststoffschichten an steilen Überhängen.	Die Überhänge des Objekts sind zu weit voneinander entfernt oder zu steil (Winkel < 45 Grad).	Drucken Sie das Objekt mit Stützen.

BESEITIGEN VON VERSTOPFUNGEN AUS DEM DRUCKKOPF

Verwenden Sie das Werkzeug zum Beseitigen von Verstopfungen, um den Druckkopf zu reinigen und Filamentrückstände zu entfernen.

1. Warten Sie, bis der Druckkopf aufgeheizt ist, und führen Sie das Werkzeug zum Beseitigen von Verstopfungen oben in den Druckkopfeingang ein.
2. Dadurch werden Hindernisse unten aus der Druckkopfdüse herausgeschoben.



REINIGEN DER AUSSENFLÄCHEN

Reinigen Sie die Außenflächen des 3D20 mit einem fusselfreien Tuch. Befreien Sie die Außenflächen von sichtbaren Rückständen.

Verwenden Sie zum Reinigen des 3D20 weder Wasser noch Chemikalien oder andere Reinigungsmitteln, um Schäden am Gerät zu vermeiden.

REINIGEN DER DRUCKKOPFDÜSE

VORSICHT: Achten Sie beim Entfernen von Restmaterial besonders darauf, die Druckkopfdüse nicht zu beschädigen. Wenn die Druckkopfdüse beschädigt ist, funktioniert der Dremel 3D20 nicht ordnungsgemäß. Defekte Düsen müssen daher ausgetauscht werden.

⚠️ WARNUNG BERÜHREN SIE DIE DRUCKKOPFDÜSE NICHT, WÄHREND DER DREMEL 3D20 IN BETRIEB IST ODER DIE TEMPERATUR ÜBER 60 °C (140 °F) LIEGT. DAS BERÜHREN DER DRUCKKOPFDÜSE WÄHREND DES BETRIEBS ODER VOR DEM ABKÜHLEN DER DÜSE KANN ZU PERSONENSCHÄDEN FÜHREN.

Entfernen Sie Kunststoffrückstände mit einer kleinen Spitzzange von der Druckkopfdüse.

Bei hartnäckigen Rückständen muss der Druckkopf eventuell erhitzt werden, damit der Kunststoff weich wird und sich entfernen lässt.

REINIGEN DES TOUCHSCREENS

Reiben Sie den Touchscreen mit einem weichen, fusselfreien Tuch sauber. Sprühen Sie keine Reinigungsmittel auf den Touchscreen.

TIPPS

1. VERWENDEN SIE STETS DRUCKBAND.
2. Vergewissern Sie sich vor jedem Druckvorgang, dass die Druckplattform gerade ausgerichtet ist.
3. Die Spule muss ordnungsgemäß eingesetzt sein und sich frei drehen lassen.
4. Wenn Sie den Dremel 3D20 zum ersten Mal oder nach dem Wechseln des Filaments verwenden, lassen Sie ihn extrudieren, bis das Material einheitlich die gewünschte Filamentfarbe aufweist.
5. Zu Beginn des Drucks muss der Dremel 3D20 unbedingt beobachtet werden, da in dieser Phase die Wahrscheinlichkeiten von Druckproblemen am größten ist. Glücklicherweise ist es zu Beginn des Drucks relativ einfach, den Vorgang abzubrechen, die Druckplattform zu reinigen und den Druck neu zu starten. Bleiben Sie während des gesamten Druckvorgangs in der Nähe des Dremel 3D20.
6. Bewahren Sie die Verpackung des Dremel 3D20 auf, um das Gerät bequem wieder verpacken und transportieren zu können.
7. Lagern Sie Filamentspulen nicht in einer zu feuchten oder zu warmen Umgebung. Es wird empfohlen, Filamentspulen erst dann aus der luftdichten Verpackung zu nehmen, wenn sie verwendet werden.
8. Verwenden Sie das Werkzeug zum Entfernen von Objekten mit Vorsicht, um Schäden an der Druckplattform und am Objekt zu vermeiden.
9. Nach Möglichkeit sollte das Druckobjekt in der Mitte der Druckplattform platziert werden. Es ist entscheidend, dass das Objekt optimal ausgerichtet ist. Achten Sie darauf, dass sich das Objekt auf der Druckplattform befindet und die Ausrichtung optimal für den Druck ist.
10. Bei steilen Überhängen (Winkel von weniger als 45 Grad) sollten Stützen verwendet werden.
11. Befestigen Sie das Druckband unterhalb der Druckplattform, damit es sich während des Drucks nicht ablöst.
12. Nehmen Sie die Druckplattform stets heraus, bevor Sie das Objekt entfernen.
13. Verwenden Sie vor dem Entfernen und Laden von Filamentspulen die Funktion zur Rückkehr zur Ausgangsposition. Es wird zudem empfohlen, vor dem Entfernen und Laden von Filamenten die Druckplattform zu entfernen.
14. Um ein erneutes Schmelzen des Objekts zu vermeiden, wird empfohlen, es mit geringer Geschwindigkeit zu schleifen.
15. Die Dremel 3D-Software zeigt das Gewicht für jedes Modell an. Um vor dem Drucken festzustellen, ob das Filament für das Objekt ausreicht, wiegen Sie das Filament mit der Spule, und ziehen Sie das Gewicht der Spule ab.

BESCHRÄNKTE VERBRAUCHERGARANTIE VON DREMEL®

Die Garantie für dieses DREMEL Produkt entspricht den länderspezifischen Vorschriften. Schäden durch normale Abnutzung und Verschleiß sowie Überlastung oder unsachgemäße Behandlung sind von der Garantie ausgeschlossen.

Gehen Sie im Garantiefall wie folgt vor:

1. Bringen Sie das Produkt NICHT zu dem Händler zurück, bei dem Sie es erworben haben.
2. Bitte wenden Sie sich für weitere Informationen über www.dremel.com an den Kundenservice.

ENTSORGUNG

Elektrowerkzeuge, Zubehör und Verpackungen sollen einer umweltgerechten Wiederverwertung zugeführt werden.

NUR FÜR EU-LÄNDER



Werfen Sie Elektrowerkzeuge nicht in den Hausmüll!

Gemäß der Europäischen Richtlinie 2012/19/EG über Elektro- und Elektronik-Altgeräte und ihrer Umsetzung in nationales Recht müssen nicht mehr gebrauchsfähige Elektrowerkzeuge getrennt gesammelt und einer umweltgerechten Wiederverwertung zugeführt werden.

DREMEL-KONTAKTINFORMATIONEN

Weitere Informationen über Dremel-Produkte, Kundendienst und Hotline finden Sie unter www.dremel.com.

Dremel Europe, P.O. Box 3267, 4800 DG Breda, Niederlande.

AVERTISSEMENTS GÉNÉRAUX CONCERNANT LA SÉCURITÉ



ATTENTION VEUILLEZ LIRE TOUTES LES INSTRUCTIONS DE CE MANUEL ET VOUS FAMILIARISER AVEC L'ÉQUIPEMENT DREMEL 3D20 AVANT DE L'INSTALLER ET DE L'UTILISER. LE NON-RESPECT DES AVERTISSEMENTS ET DES INSTRUCTIONS POURRAIT DÉCLENCHER UN INCENDIE, ENDOMMAGER L'ÉQUIPEMENT, PROVOQUER DES DOMMAGES AUX BIENS ET/OU CAUSER DES BLESSURES. CONSERVEZ TOUS LES AVERTISSEMENTS ET TOUTES LES INSTRUCTIONS POUR RÉFÉRENCE FUTURE

SÉCURITÉ DU LIEU DE TRAVAIL

- c. Maintenez le lieu de travail propre et bien éclairé. *Les risques d'accident sont plus élevés quand on travaille dans un endroit encombré ou sombre.*
- d. N'utilisez pas l'équipement Dremel 3D20 en présence de liquides, de gaz ou de poussières inflammables. *L'équipement Dremel 3D20 produit des températures élevées qui pourraient mettre le feu aux poussières et vapeurs.*
- e. Rangez l'équipement 3D20 hors de la portée des enfants et des autres personnes n'ayant pas reçu la formation appropriée. *L'emploi de cet outil par des utilisateurs non formés pourrait causer des blessures.*

SÉCURITÉ ÉLECTRIQUE

- a. Utilisez toujours l'équipement Dremel 3D20 avec une prise de courant correctement mise à la terre. Ne modifiez pas la fiche de l'équipement Dremel 3D20. *Une mise à la terre incorrecte et des fiches modifiées augmentent le risque de choc électrique.*
- b. N'utilisez pas l'équipement Dremel 3D20 dans des endroits humides ou mouillés. N'exposez pas l'équipement Dremel 3D20 à la pluie. *La présence d'humidité augmente le risque de choc électrique.*
- c. Ne maltraitez pas le cordon. Ne vous en servez jamais pour tirer ou débrancher l'équipement Dremel 3D20. *Maintenez le cordon à distance des sources de chaleur, des huiles, des arêtes coupantes et des pièces mobiles. Les cordons abîmés ou emmêlés augmentent le risque de choc électrique.*
- d. Évitez d'utiliser cet outil pendant un orage. *Il existe un très faible risque de pic de puissance résultant d'un éclair qui pourrait causer un choc électrique.*
- e. En cas d'urgence, débranchez l'équipement Dremel 3D20 de la prise de courant.

SÉCURITÉ PERSONNELLE

- a. Faites toujours preuve de vigilance, faites attention à ce que vous faites et faites preuve de bon sens lorsque vous utilisez l'équipement Dremel 3D20. N'utilisez pas un tel outil lorsque vous êtes fatigué ou sous l'emprise de drogues, d'alcool ou de médicaments. //

suffit d'un moment d'inattention pendant que vous utilisez l'équipement Dremel 3D20 pour causer des blessures.

- b. Portez des équipements de protection individuelle. *Le port d'équipements de protection tels que des gants résistants à la chaleur et des lunettes de sécurité réduira le risque de blessures.*
- c. Portez une tenue appropriée. *Ne portez pas de vêtements amples ou de bijoux. N'approchez jamais les cheveux, vêtements ou gants, de pièces en mouvement. Les vêtements amples, les bijoux ou les cheveux longs risquent d'être happés par les pièces en mouvement.*

UTILISATION ET ENTRETIEN DE L'ÉQUIPEMENT DREMEL 3D20

- a. Avant chaque utilisation, inspectez l'équipement Dremel 3D20 pour vous assurer que toute les pièces sont bien alignées, que les pièces mobiles ne se coincent pas et qu'il n'existe pas d'autre problème qui pourrait affecter le fonctionnement de l'équipement Dremel 3D20. *Si vous soupçonnez que l'équipement est endommagé, faites réparer votre outil Dremel 3D20 par un centre de service après-vente Dremel agréé avant de recommencer à vous en servir. L'utilisation de l'équipement Dremel 3D20 quand il est endommagé pourrait entraîner la création d'objets de mauvaise qualité, endommager encore plus le matériel et causer des dommages aux biens et des blessures.*
- b. Ne touchez pas la pointe de l'extrudeuse pendant le fonctionnement de l'équipement Dremel 3D20 ou avant qu'il se soit refroidi à 60 °C (140 °F) au maximum. *Un contact avec la pointe de l'extrudeuse pendant le fonctionnement de l'équipement ou après qu'il se soit arrêté, mais avant que la pointe ne soit suffisamment refroidie, pourrait causer des blessures.*
- c. Installez l'équipement Dremel 3D20 dans un endroit bien ventilé. *Prévoyez au moins 8 po (20 cm) sans obstruction tout autour de l'équipement Dremel 3D20. L'équipement Dremel 3D20 fait fondre du plastique pendant la construction. Les odeurs de plastique émises pendant le fonctionnement de l'équipement Dremel 3D20 peuvent irriter les yeux et les voies respiratoires. Le positionnement de l'équipement Dremel 3D20 trop près d'objets avoisinants fait obstacle à une ventilation correcte.*
- d. Ne mettez pas les mains à l'intérieur de l'équipement Dremel 3D20 pendant qu'il est en marche. *Un contact avec des pièces en mouvement de l'équipement Dremel 3D20 pendant son fonctionnement pourrait réduire la qualité de la construction, endommager l'équipement ou causer des blessures.*
- e. Ne laissez pas l'équipement Dremel 3D20 sans surveillance pendant qu'il est en marche. *L'utilisation de l'équipement Dremel 3D20 par des personnes n'ayant pas lu ces avertissements et ces instructions pourrait entraîner des dommages à l'équipement et aux objets avoisinants et causer des blessures.*
- f. N'utilisez que des filaments PLA de DREMEL. *L'utilisation de filaments non autorisés par Dremel pourrait entraîner des dommages aux équipements et aux objets avoisinants.*
- g. Assurez-vous que les petits enfants n'aient pas accès aux petits objets créés par l'équipement Dremel 3D20. *Les petits objets présentent un danger d'étouffement pour les petits enfants.*

- h. Ne créez pas d'objets illégaux ou inappropriés en utilisant l'équipement Dremel 3D20.
- i. N'utilisez pas l'équipement Dremel 3D20 pour créer des objets conçus en vue d'un emploi avec des bougies, des combustibles liquides ou d'autres sources de chaleur. *Le plastique peut fondre quand il est exposé au feu ou à d'autres sources de chaleur. Un tel emploi d'objets créés par l'équipement Dremel 3D20 pourrait causer des incendies, des dommages aux biens et des blessures.*
- j. N'utilisez pas l'équipement Dremel 3D20 pour créer des objets conçus en vue d'un emploi dans le cadre d'applications en liaison avec des aliments ou des boissons, notamment pour leur préparation, leur décoration, leur conservation ou leur consommation. *Un tel emploi d'objets créés par l'équipement Dremel 3D20 pourrait entraîner des maladies ou des blessures.*
- k. N'utilisez pas l'équipement Dremel 3D20 pour créer des objets conçus en vue d'un emploi avec des composants électriques ou des boîtiers de composants électriques. *Le plastique PLA n'est pas approprié pour emploi dans le cadre d'applications électriques. Un tel emploi d'objets créés par l'équipement Dremel 3D20 pourrait causer des dommages aux biens et des blessures.*
- l. Ne placez pas d'objets en plastique dans votre bouche ou autour de votre bouche. *Le plastique PLA n'est pas approprié pour la préparation d'aliments ou de boissons et pour emploi avec des ustensiles pour denrées alimentaires. Un tel emploi d'objets créés par l'équipement Dremel 3D20 pourrait entraîner des maladies ou des blessures.*
- m. N'utilisez pas l'équipement Dremel 3D20 pour créer des objets conçus en vue d'un emploi en liaison avec le stockage de produits chimiques. *Le plastique PLA n'est pas approprié pour le stockage de produits chimiques. Un tel emploi d'objets créés par l'équipement Dremel 3D20 pourrait causer des dommages aux biens et des blessures.*
- n. Ne modifiez pas l'équipement Dremel 3D20 et n'en changez pas les paramètres fixés à l'usine. *De telles modifications pourraient endommager l'équipement, causer des dommages aux biens et entraîner des blessures.*
- o. N'exposez pas l'équipement Dremel 3D20 à des températures dépassant 70 °C (158 °F). *L'équipement Dremel 3D20 pourrait être endommagé. Il est conçu pour fonctionner à des températures comprises entre 16 et 29 °C (60 à 85 °F).*
- p. Ne déplacez pas l'équipement Dremel 3D20 ou l'extrudeuse, et veillez à ne pas causer de chocs les affectant, pendant le fonctionnement. *L'objet risquerait d'être construit de façon incorrecte.*
- q. Ne changez pas la couleur du filament ou de la bobine pendant la construction. *Ceci annulerait la construction de l'objet et pourrait endommager l'extrudeuse.*
- r. Ne tirez pas sur le filament pour le faire sortir avant de voir des instructions à cet effet sur l'écran tactile. *Ceci pourrait endommager l'extrudeuse.*
- s. Faites particulièrement attention de ne pas endommager la pointe de l'extrudeuse lorsque vous nettoyez les débris. *L'équipement Dremel 3D20 ne fonctionnera pas correctement si la pointe de l'extrudeuse est endommagée, et il faudra la remplacer.*
- t. Avant chaque construction, assurez-vous que la plateforme de construction est couverte par du ruban de construction tel que spécifié par Dremel. *L'emploi de ruban de construction incorrect pourrait endommager l'équipement et causer la construction d'objets de mauvaise qualité.*
- u. Prenez conscience de la position de votre corps lorsque vous utilisez des outils manuels pour retirer des objets de la plateforme de construction. *Un dérapage soudain d'un tel outil combiné avec une position incorrecte du corps pendant le retrait de l'objet de la plateforme de construction pourrait causer des blessures.*
- v. Évitez de rayer la plateforme de construction lorsque vous retirez des objets. *Des rayures sur la plateforme de construction entraîneront la création d'objets inappropriés.*
- w. Dremel n'assume aucune responsabilité pour l'intégrité structurale ou l'utilité des objets créés en utilisant l'équipement Dremel 3D20. *Les modèles structuraux créés par des concepteurs inexpérimentés peuvent causer des dommages aux biens et des blessures.*

RÉPARATION

- a. Débranchez toujours l'équipement Dremel 3D20 de sa source d'alimentation électrique avant d'effectuer toute procédure d'entretien ou de réparation. *Le non-respect de cette consigne de sécurité pourrait causer des blessures et des dommages aux biens.*
- b. Ne faites réparer votre outil Dremel 3D20 que par un centre de service après-vente agréé par Dremel qui n'utilise que des pièces de rechange Dremel. *Ceci assurera le respect des normes appropriées d'utilisation et de sécurité de l'équipement Dremel 3D20.*
- c. N'utilisez que des matériels et composants approuvés par Dremel. *L'emploi de matériels pour la construction d'objets et d'objets 3D autres que des matériaux pour la construction d'objets approuvés par Dremel® et des composants Dremel® authentiques pourrait annuler la garantie.*

TABLE DES MATIÈRES



Avertissements généraux concernant la sécurité.....	54
Table des matières.....	55
Symboles.....	56
Informations sur la propriété intellectuelle.....	56
Description fonctionnelle et spécifications	57
Ressources pour l'équipement 3D20.....	58
Glossaire terminologique.....	58
Familiarisez-vous avec votre équipement Dremel 3D20	60
Introduction.....	62
Contenu du kit et déballage.....	62
Écran tactile.....	64
Installation et enregistrement du logiciel.....	69
Présentation générale du logiciel de Dremel	70
Préparez-vous en vue de la construction	72
Construction	75
Construction depuis la carte SD	75
Construction depuis votre ordinateur	76

Retrait de votre objet.....	76
Déchargement et remplacement de la bobine de filament.....	77
Maintenance et réparations	78
Désobstruction De L'extrudeuse.....	79
Nettoyage de l'extérieur	79
Nettoyage de la pointe de l'extrudeuse	79
Nettoyage de l'écran tactile	79
Meilleures pratiques	79
Garantie limitée de dremel® pour les consommateurs.....	80

pour produire des objets qui enfreignent des droits de propriété intellectuelle appartenant à des tiers pourrait entraîner des poursuites civiles ou pénales et vous exposer à des dommages et intérêts, des amendes ou des peines de prison en conséquence.

Ce produit peut contenir ou libérer des agents chimiques qui, selon l'État de Californien sont cancérigènes et peuvent causer des malformations congénitales ou d'autres problèmes de reproduction.

SYMBOLES

Symbole	Nom	Désignation/ Explication
	Symbole d'avertissement	Indique à l'utilisateur des messages d'avertissement.
	Lecture du mode d'emploi	Indique à l'utilisateur de lire le mode d'emploi

ATTENTION CECI EST UN PRODUIT DE CLASSE A. DANS UN ENVIRONNEMENT DOMESTIQUE, CE PRODUIT PEUT PRODUIRE DES INTERFÉRENCES RADIO. DANS CE CAS, L'UTILISATEUR PEUT ÊTRE INVITÉ À PRENDRE DES MESURES APPROPRIÉES.

INFORMATIONS SUR LA PROPRIÉTÉ INTELLECTUELLE

L'équipement Dremel 3D20 est conçu pour imprimer en trois dimensions des objets provenant de fichiers numériques que vous créez ou possédez, ou que vous avez le droit d'imprimer en utilisant votre équipement Dremel 3D20. Lorsque vous fabriquez des objets en utilisant votre équipement Dremel 3D20, il vous appartient de vous assurer que vous ne violez aucun droit de propriété intellectuelle d'un tiers ou des lois et règlements applicables, notamment des lois des États-Unis ou d'autres pays sur la propriété intellectuelle. L'équipement Dremel 3D20 ne peut pas être utilisé pour fabriquer des objets protégés par des droits de propriété intellectuelle appartenant à des tiers sans la permission de tels tiers. L'utilisation de l'équipement Dremel 3D20 pour faire ce qui suit peut nécessiter la permission de tiers : faire une copie ou un fac-similé (en tout ou partie) de tout objet non créé par vos soins, produire un objet à partir d'un fichier numérique que vous ne possédez pas ou fabriquer un objet à partir de la numérisation d'un objet physique que vous n'avez pas créé. Il vous incombe d'obtenir une telle permission. Quand une telle permission ne peut pas être obtenue, vous ne devez pas effectuer une impression en 3D d'un tel objet, ou vous le faites à vos propres risques. Vous ne pouvez pas modifier, désosser, décompiler ou démonter l'équipement Dremel 3D20 ou son logiciel ou son firmware, sauf si le droit applicable le permet. Si vous utilisez l'équipement Dremel 3D20 de toute autre façon que ce qui est recommandé et décrit dans ce mode d'emploi et ces consignes de sécurité, vous le faites à vos propres risques. L'utilisation de l'équipement Dremel 3D20

DESCRIPTION FONCTIONNELLE ET SPÉCIFICATIONS

CONSTRUCTION

Extrudeuse : extrusion simple
Température de l'extrudeuse : jusqu'à 230 °C (397 °F)
Interface de fonctionnement : écran couleur tactile IPS de 3,5 po
Volume de construction maximum : 9 × 5,9" × 5,5 po (230 mm × 150 mm × 140 mm)
Épaisseur couche : 4 mils | 0,004 po 100 microns | 0,10 mm
Couleurs des filaments : voir Dremel3D.com pour les choix de couleurs
Carte SD : taille jusqu'à 32 Go (l'équipement 3D20 n'est pas compatible avec des cartes SD de taille supérieure à 32 Go)
Capacité de stockage interne : 4 Go

POIDS ET DIMENSIONS

Poids (sans la bobine) : 8,8 kg (19 lb. 8 oz)
Dimensions : 19,1 po × 15,7 po × 13,2 po (485 mm × 400 mm × 335 mm)

FILAMENT

Compatible SEULEMENT avec les filaments Dremel PLA
Filament : PLA 1,75 mm
(biodégradable/renouvelable)

STOCKAGE DES FILAMENTS

Tous les polymères se dégradent avec le temps. Ne déballer pas un filament avant d'en avoir réellement besoin. Les filaments doivent être stockés à température ambiante : 16-29 °C (60-85 °F)

LOGICIEL

L'équipement Dremel 3D20 est fourni avec un logiciel Dremel 3D (pour Windows et Mac OSX) mis à disposition gratuitement. Cette application convertit vos fichiers numériques 3D en fichiers de construction.

CONFIGURATION MATÉRIELLE MINIMUM REQUISE

Il est nécessaire que le PC utilisé ait la configuration minimum requise pour être compatible avec le processeur du logiciel Dremel® 3D :
Processeur : processeur multicœur – 2 GHz ou plus rapide par cœur
RAM du système : 2 Go
Résolution de l'écran : 1 024 × 768
Port USB

CONFIGURATION WINDOWS

Le logiciel Dremel® peut être utilisé sur un système d'exploitation de 32 ou de 64 bits.
Windows Vista ou système ultérieur

CONFIGURATION MAC OSX

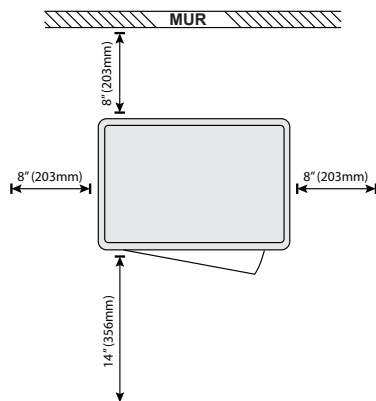
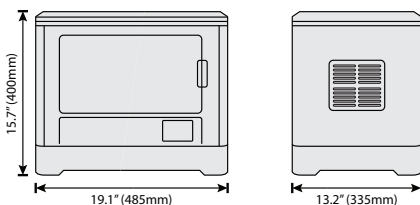
Le logiciel Dremel® peut être utilisé sur un système d'exploitation Mac OSX 10.8 ou un système ultérieur.

CONFIGURATION ÉLECTRIQUE

Spécifications nominales d'entrée de l'équipement 3D20 : 120 V, 60 Hz, 1,2 A

ENVIRONNEMENT APPROPRIÉ POUR LE FONCTIONNEMENT

Température ambiante : 16-29 °C (60-85 °F)
Espace de travail horizontal
Environnement de travail sec

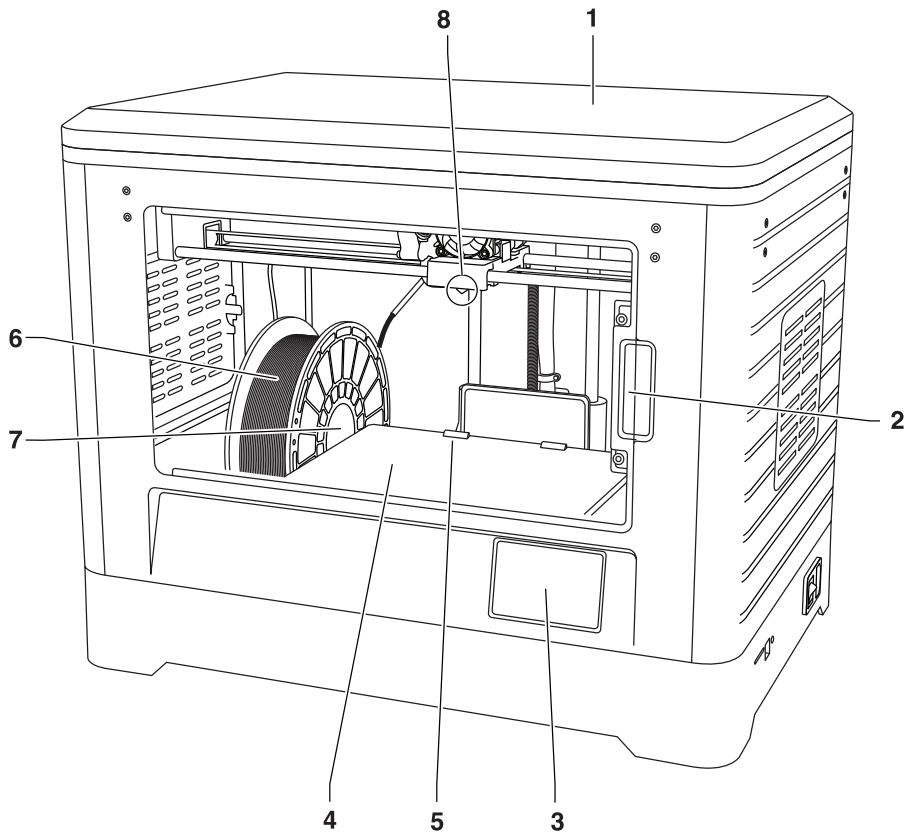


Ressource	Description	Emplacement
Guide de démarrage rapide	Contient des conseils illustrés pour vous aider à déballer votre équipement 3D20 et à commencer votre construction immédiatement.	Vous trouverez la version papier du Guide de démarrage rapide dans le carton rectangulaire dans lequel se trouvent les composants. Vous pouvez également le consulter sur le site : www.dremel3d.com .
Site Web 3D20	Fournit le logiciel 3D20 le plus récent, ainsi que des informations sur le produit et une assistance à la clientèle.	www.dremel3d.com
Service clients 3D20	Contactez Dremel pour être mis en relation avec le service technique en cas de questions, de problèmes de maintenance ou de besoin de réparation.	
Logiciel Dremel 3D20	Permet de télécharger, de modifier et de construire des fichiers 3D. Vous pouvez également changer les paramètres du dispositif et commander des fournitures.	Installé depuis le site www.dremel3d.com ou depuis la carte SD fournie avec l'équipement 3D20.

Terme	Définition
Plateforme de construction	La surface plate utilisée par votre équipement Dremel 3D20 pour construire des objets.
Pince de fixation de la plateforme de construction	La pince de fixation située à l'avant de la base de la plateforme de construction qui est utilisée pour maintenir la plateforme de construction en place.
Ruban de construction	Ruban adhésif similaire à un ruban bleu pour peintres qui améliore l'uniformité de vos objets et leur permet d'adhérer à la surface de la plaque de construction.
Volume de construction	L'espace tridimensionnel (3D) qu'un objet utilisera après avoir été construit. Votre équipement Dremel 3D20 a un volume de construction maximum. Cela signifie qu'il n'est pas possible de construire des objets ayant un volume de construction plus important sans avoir modifié leur taille ou les avoir décomposés en sous-objets.
Porte	Votre équipement Dremel 3D20 possède une porte sur son panneau avant. Elle permet un accès facile à la plateforme de construction, à l'extrudeuse, au filament et à vos objets. La porte est fabriquée à partir d'un matériau transparent, ce qui vous permet de suivre l'état d'avancement de la fabrication de vos objets tout en maintenant l'environnement de construction stable.
Couvercle	Votre équipement Dremel 3D20 possède un couvercle amovible sur sa partie supérieure. Ceci permet un meilleur accès à la plateforme de construction, à l'extrudeuse, au filament et aux objets, lorsque cela est nécessaire.
Interrupteur de fin de course	Interrupteur activé par le mouvement de l'extrudeuse ou de la plateforme de construction lorsque la fin de course est atteinte.
Extrudeuse	Ensemble utilisant des engrenages qui tirent le filament à travers l'orifice d'admission de l'extrudeuse, chauffent le filament à la température de construction et poussent le filament chauffé afin de le faire sortir de la pointe de l'extrudeuse.
Ventilateur de l'extrudeuse	Ventilateur utilisé pour refroidir l'ensemble extérieur consistant en l'extrudeuse et le moteur à engrenages.
Admission de l'extrudeuse	Ouverture située en haut de l'extrudeuse, à l'endroit où le filament est inséré en vue de la construction.
Levier de poussée de l'extrudeuse	Levier situé sur le côté de l'extrudeuse qui est utilisé pour desserrer la préhension du moteur à engrenages de l'extrudeuse.

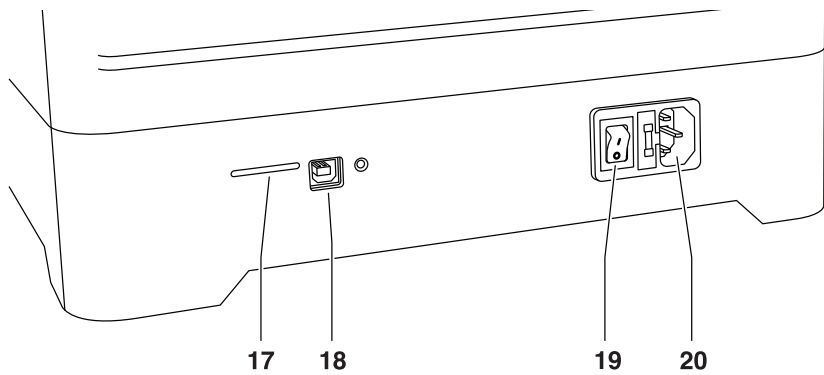
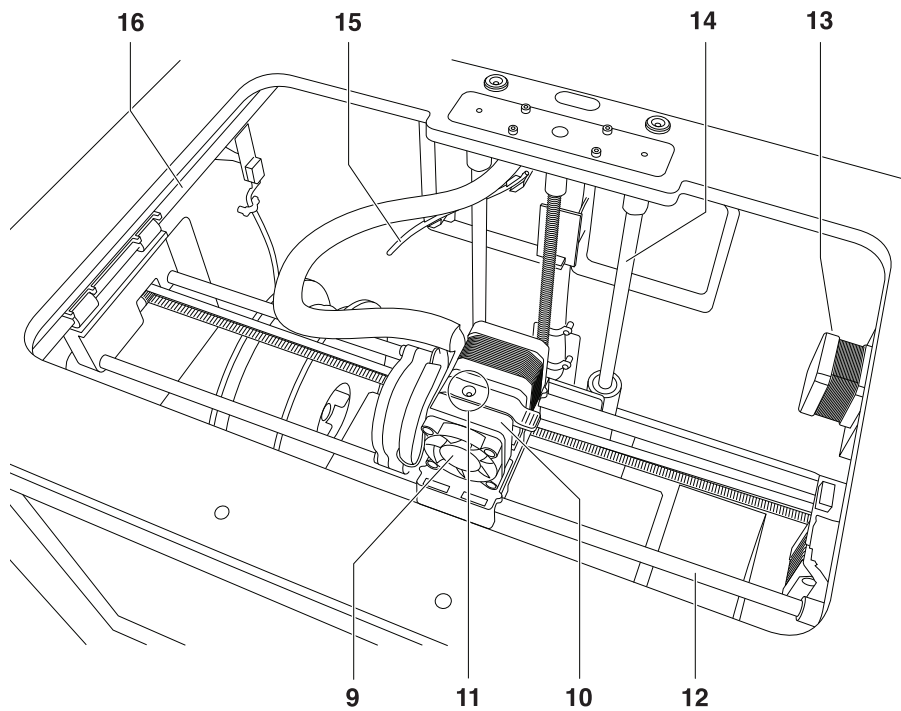
Pointe de l'extrudeuse	Buse située à la base de l'extrudeuse, à l'endroit où le filament chauffé est expulsé pour construire l'objet.
Filament	Matériau plastique filiforme.
Bobine de filament	Pièce cylindrique sur laquelle un long brin de filament est enroulé en vue de stockage et d'utilisation continue.
Tube de guidage du filament	Pièce en plastique qui guide le filament depuis la bobine de filament à travers un passage dans le boîtier extérieur de votre équipement Dremel 3D20.
Boutons de nivellement	Boutons situés au-dessous de la base de la plateforme de construction qui sont utilisés pour créer l'espacement correct entre la pointe de l'extrudeuse et la plateforme de construction.
Outil de nivellement	Cale calibrée avec des repères détaillés et un mode d'emploi.
PLA	Plastique biologique dérivé de ressources renouvelables telles que de l'amidon de maïs.
Pince à bécps pointus	Outil commun utilisé pour tenir de petits objets et saisir des matériaux excédentaires qui peuvent être trop chauds pour pouvoir être touchés directement.
Outil de retrait d'objets	Outil utilisé pour séparer vos objets de la plateforme de construction.
Carte SD	Carte mémoire portative utilisée sur des appareils très variés tels que des caméras et appareils photographiques.
Porte-bobine	Pièce en plastique située du côté gauche de la plateforme de construction, à l'intérieur de la zone de construction de votre équipement Dremel 3D20, qui est conçue pour contenir une bobine de filament.
Dispositif de blocage de la bobine	Pièce en plastique fixant la bobine de filament sur le porte-bobine. Cette pièce est insérée à travers le centre de la bobine de filament, à l'intérieur du porte-bobine, et on la tourne pour la mettre en position de blocage.
Moteur pas-à-pas	Moteur électrique c.c. sans balais servant à entraîner les rails de guidage et les engrenages de l'extrudeuse.
Fichier .STL	Format de fichier numérique commun utilisé dans des logiciels de modélisation 3D très variés. Ce fichier est créé dans un logiciel 3D tiers ou téléchargé depuis le site Dremel3D.com.
Fichier .3dremel	Format de fichier numérique de Dremel qui est utilisé par votre équipement Dremel 3D20 pour accéder correctement aux modèles.
Fichier .G3Drem	Format de fichier de construction compatible avec votre équipement Dremel 3D20.

Écran tactile	Écran d'affichage couleur activé au toucher. Il vous permet de contrôler votre équipement Dremel 3D20 et vos objets tout en vous permettant également de commander directement votre équipement Dremel 3D20 sans avoir besoin d'utiliser un ordinateur.
Outil de désobstruction	Outil utilisé pour dégorgier l'extrudeuse de ses débris excessifs.
Rails de guidage sur l'axe des X	Jeu de rails situés d'un côté ou de l'autre de l'extrudeuse qui permettent à un moteur pas-à-pas de déplacer l'extrudeuse vers le côté gauche ou le vers le côté droit de la zone de construction.
Rails de guidage sur l'axe des Y	Jeu de rails situés d'un côté ou de l'autre de l'extrudeuse qui permettent à un moteur pas-à-pas de déplacer l'extrudeuse vers l'avant ou vers l'arrière de la zone de construction.
Rails de guidage sur l'axe des Z	Jeu de rails situés d'un côté ou de l'autre de l'extrudeuse qui permettent à un moteur pas-à-pas de déplacer la plateforme de construction vers le haut ou vers le bas.



- 1. Couvercle
- 2. Porte
- 3. Écran tactile
- 4. Plateforme de construction
- 5. Pinces de fixation de la plateforme de construction
- 6. Bobine de filament
- 7. Porte-bobine de filament/Dispositif de blocage de la bobine
- 8. Pointe de l'extrudeuse
- 9. Ventilateur de l'extrudeuse
- 10. Extrudeuse

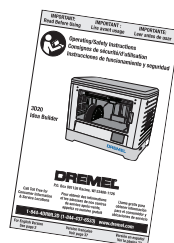
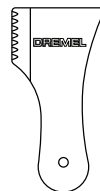
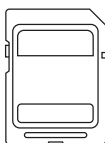
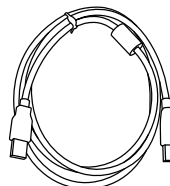
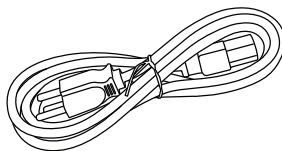
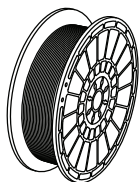
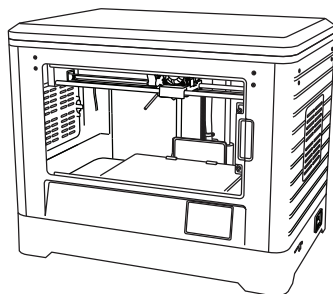
- 11. Admission de l'extrudeuse
- 12. Rails de guidage sur l'axe des X
- 13. Moteur pas-à-pas (1 sur 3)
- 14. Rails de guidage sur l'axe des Z
- 15. Tube de guidage des filaments
- 16. Rails de guidage sur l'axe des Y
- 17. Entrée d'alimentation
- 18. Interrupteur d'alimentation
- 19. Entrée USB
- 20. Entrée de la carte SD



Bienvenue dans le monde de Dremel 3D. Notre mission est de vous guider tout au long du processus de construction en 3D et de partager nos meilleures pratiques pour transformer vos idées en réalité. La construction en 3D est un processus qui inclura de l'expérimentation et de la persistance. Heureusement, les experts de Dremel sont là pour vous faciliter le travail avec des conseils en ligne et une assistance technique en temps réel. Mettez toutes les chances de votre côté en enregistrant votre équipement Dremel 3D20 à Dremel3D.com. Ceci vous donnera accès à des centaines de modèles de qualité supérieure et à des projets innovants. Grâce à Dremel, vous pourrez construire sur la base de vos propres idées, améliorer vos constructions et vous les approprier.

CONTENU DU KIT

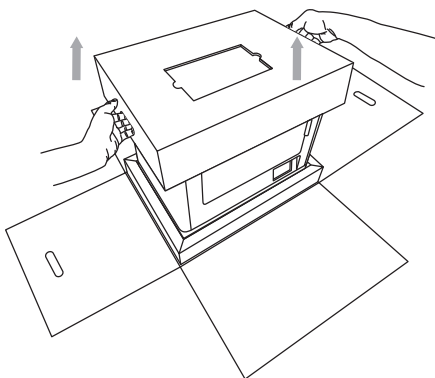
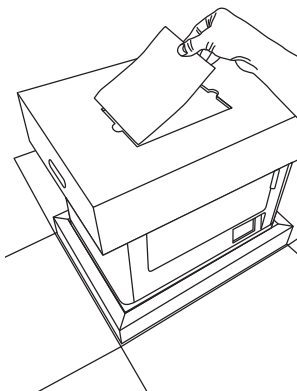
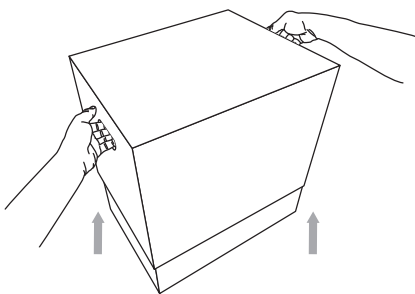
- Dremel 3D20
- 1 bobine de filament
(Ne pas la conserver dans un environnement humide ou très chaud)
- Guide de démarrage rapide
- Mode d'emploi
- Câble d'alimentation
- Câble USB
- Carte SD
(contenant des fichiers avec des exemples de modèles)
- Ruban de construction
- Outil de retrait d'objets
- Outil de désobstruction
- Outil de nivellement



DÉBALLAGE

1. Placez la boîte sur une table et coupez le ruban.
2. Soulevez la boîte extérieure et laissez la boîte intérieure s'ouvrir.
3. Retirez le couvercle du carton du haut de votre équipement Dremel 3D20.
4. Le carton rectangulaire en haut de votre équipement Dremel 3D20 contient le mode d'emploi du produit, le guide de démarrage rapide et les pièces de montage. Retirez les composants du kit qui se trouvent à l'intérieur.
5. Saisissez fermement votre équipement Dremel 3D20 pour le faire sortir de l'emballage et placez-le sur une surface de travail stable en prenant les précautions nécessaires.
6. Retirez le couvercle en plastique du haut de votre équipement Dremel 3D20.
7. Retirez le ruban de la porte de votre équipement Dremel 3D20.
8. Retirez les pièces rapportées de l'intérieur de votre équipement Dremel 3D20.

Conseil : gardez l'emballage pour le cas où vous auriez besoin de transporter à nouveau votre équipement ou de l'entreposer.



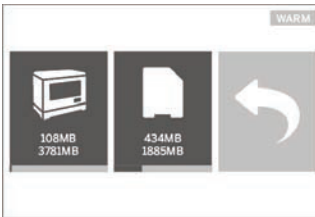
ÉCRAN TACTILE

Il est facile d'utiliser votre équipement Dremel 3D20 sans ordinateur grâce au logiciel et à l'écran couleur tactile incorporés. Avant de construire votre modèle, nous voulons que vous vous familiarisiez avec la structure et les options du menu de l'écran tactile.

ATTENTION OBSERVEZ TOUS LES AVERTISSEMENTS ET TOUTES LES CONSIGNES DE SÉCURITÉ LORSQUE VOUS UTILISEZ L'ÉQUIPEMENT DREMEL 3D20. SANS CELA, VOUS RISQUERIEZ DE CAUSER UN INCENDIE, DES DOMMAGES À L'ÉQUIPEMENT, DES DOMMAGES À D'AUTRES BIENS OU DES BLESSURES.



CONSTRUIRE (« BUILD »)



Sélectionnez un fichier de modèle dans la mémoire intégrée de votre équipement Dremel 3D20 en touchant l'icône de votre équipement Dremel 3D20 ou sélectionnez un fichier de modèle sur une carte SD en touchant l'icône de carte SD.

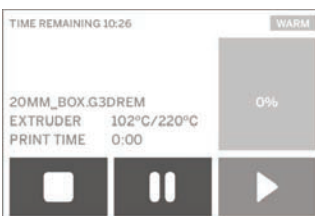


Une fois qu'un modèle aura été sélectionné, une fenêtre contextuelle apparaîtra sur l'écran tactile en proposant les options suivantes :



CONSTRUIRE (« BUILD »)

Touchez cette option pour commencer le processus de construction tout en affichant des informations utiles et le statut de l'objet.



ARRÊT (« STOP ») – Touchez cette option pour annuler l'objet.

Il vous sera demandé de confirmer si vous souhaitez annuler la construction ou continuer la construction.

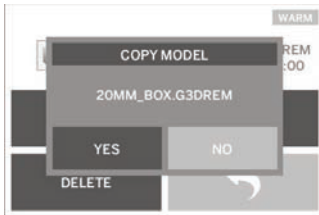
PAUSE – Touchez cette option pour annuler l'objet. Ceci vous permettra d'accéder au menu Outils (« Tools ») pour télécharger ou charger un filament.

JOUER (« PLAY ») – Touchez cette option pour sortir du mode Pause et reprendre la construction de votre objet.



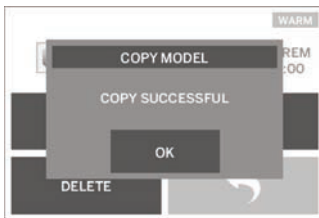
COPIER (« COPY »)

Touchez cette option pour copier un fichier de modèle d'une carte SD à la mémoire de votre équipement Dremel 3D20. Vous ne pouvez pas copier un fichier de modèle de votre équipement Dremel 3D20 à une carte SD.



COPIER LE MODÈLE (« COPY MODEL »)

Touchez cette option pour confirmer votre décision de copier votre fichier de modèle de la mémoire de votre équipement Dremel 3D20 à une carte SD.



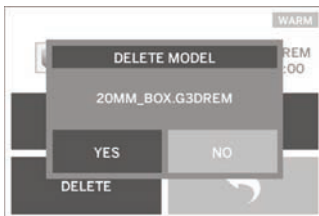
COPIE DU MODÈLE RÉUSSIE (« COPY MODEL SUCCESSFUL »)

Une alerte contextuelle vous fait savoir que le fichier de modèle a été copié avec succès.



EFFACER (« DELETE »)

Touchez ce bouton pour effacer de façon permanente le fichier de modèle sélectionné de la mémoire de votre équipement Dremel 3D20 ou d'une carte SD.



EFFACER LE MODÈLE (« DELETE MODEL »)

Une fenêtre contextuelle apparaîtra pour vous demander de confirmer que vous souhaitez effacer de façon permanente un fichier de modèle de la mémoire de votre équipement Dremel 3D20 ou d'une carte SD.

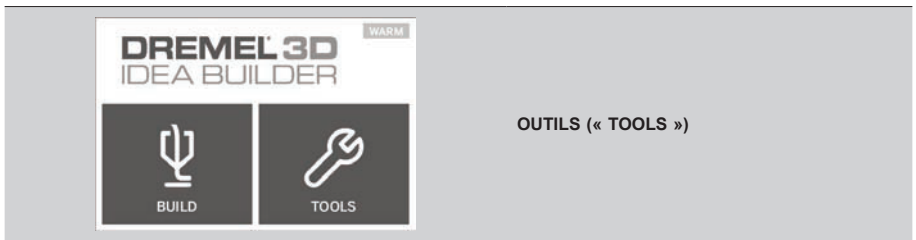


EFFACEMENT DU MODÈLE RÉUSSI (« DELETE MODEL SUCCESSFUL »)

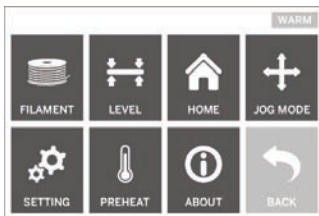
Une alerte contextuelle vous fait savoir que le modèle de fichier a été effacé avec succès.



RETOUR (« RETURN »)
Retournez au menu précédent.



OUTILS (« TOOLS »)

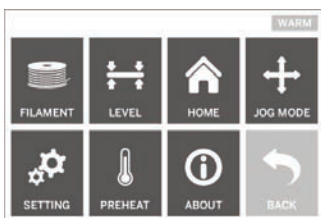


FILAMENT

Charger (« Load ») – Touchez cette option pour dire à votre équipement Dremel 3D20 de commencer à chauffer l'extrudeuse en vue du chargement du filament (voir page 72 pour obtenir des instructions sur le chargement de filaments). L'écran tactile affichera une barre d'état et vous fera savoir quand le moment sera venu de charger le filament.

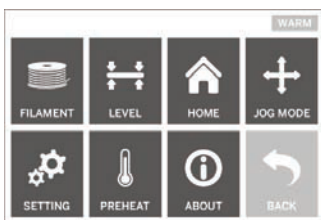
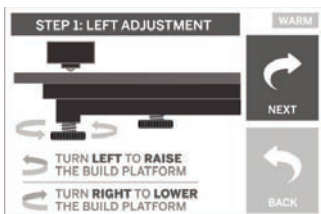
Déchargez (« Unload ») – Touchez cette option pour dire à votre équipement Dremel 3D20 de commencer à chauffer l'extrudeuse en vue du déchargement du filament (voir page 77 pour obtenir des instructions sur le déchargement de filaments). L'écran tactile affichera une barre d'état et vous fera savoir quand le moment sera venu de décharger le filament.





NIVELLEMENT (« LEVEL »)

Touchez cette option pour déclencher le processus de nivellement de la plateforme de construction (voir page 74 pour obtenir des instructions sur le nivellement de la plateforme de construction). L'écran tactile affichera des instructions sur la façon de niveler la plateforme de construction.



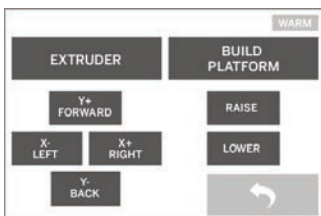
POSITION INITIALE (« HOME »)

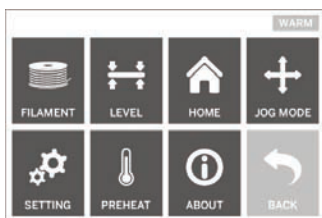
Touchez cette option pour remettre l'extrudeuse et la plateforme de construction dans la position initiale.



MODE JOG

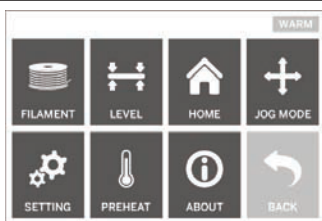
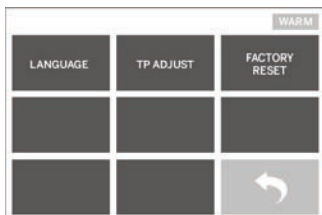
Touchez cette option pour afficher les options de positionnement de l'extrudeuse et de la plateforme de construction le long de l'axe des X, de l'axe des Y et de l'axe des Z.





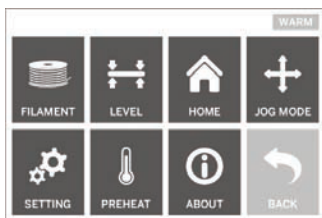
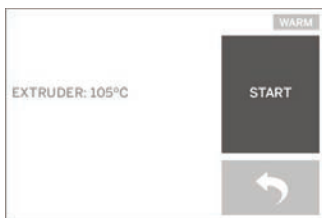
RÉGLAGE (« SETTING »)

Touchez cette option pour changer le réglage effectué en usine pour la langue ou pour retourner aux paramètres par défaut du fabricant.



PRÉCHAUFFAGE (« PREHEAT »)

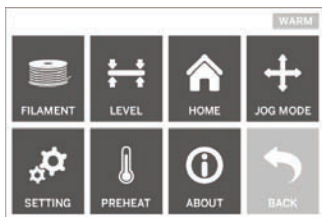
Touchez cette option pour déclencher le préchauffage de l'extrudeuse en vue de la construction ou du retrait des débris excessifs. L'écran tactile affichera la température approximative de l'extrudeuse. Vous pouvez utiliser l'écran tactile pour DÉCLENCHER ou ARRÊTER le processus de préchauffage à tout moment.



À PROPOS DE (« ABOUT »)

Touchez cette option pour afficher le numéro de série de votre équipement Dremel 3D20, la version actuelle du firmware, le nombre d'heures d'utilisation et le statut de votre équipement Dremel 3D20.





RETOUR (« RETURN »)
Retournez au menu précédent.

INSTALLATION ET ENREGISTREMENT DU LOGICIEL

Il est facile de créer un compte sur Dremel3D.com. Ceci vous donne accès à tous les modèles et toutes les collections fantastiques qui inspireront votre créativité et la renouvelleront.

INSTALLATION DU LOGICIEL DE DREMEL3D.COM

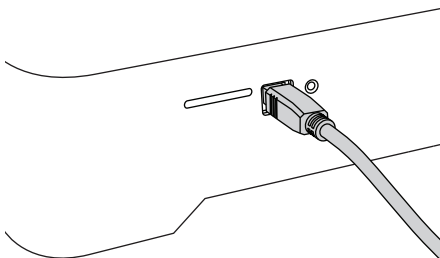
1. Rendez-vous à Dremel3D.com.
2. Depuis un PC : téléchargez le logiciel et installez-le sur votre PC.
 - a. Téléchargez le logiciel Dremel 3D depuis Dremel3D.com.
 - b. Cliquez sur Dremel 3D_(numéro de la version).exe sur l'emplacement du dossier dont vous avez téléchargé un fichier. L'assistant pour l'installation s'ouvrira.
 - c. Suivez les invites de l'assistant d'installation pour télécharger le logiciel sur votre ordinateur.
3. Depuis un MAC : téléchargez le logiciel et installez-le sur votre MAC.
 - a. Cliquez sur Téléchargements (« Downloads ») et sélectionnez le logiciel Dremel 3D. Double-cliquez sur le fichier zip, et le fichier Dremel 3D INSTALLER.DMG apparaîtra.
 - b. Double-cliquez sur le fichier Dremel 3D INSTALLER.DMG pour ouvrir une nouvelle fenêtre. Faites glisser le fichier d'installation jusqu'au dossier APPLICATIONS.
 - c. Si la fenêtre de glissement pour l'installation (« Drag to Install ») ne s'est pas ouverte, localisez le lecteur Dremel 3D dans votre panneau de dispositifs. Cliquez sur Dremel 3D pour télécharger le logiciel.

REMARQUE : les utilisateurs de Safari n'auront pas besoin de décompresser le fichier INSTALLER.DMG.

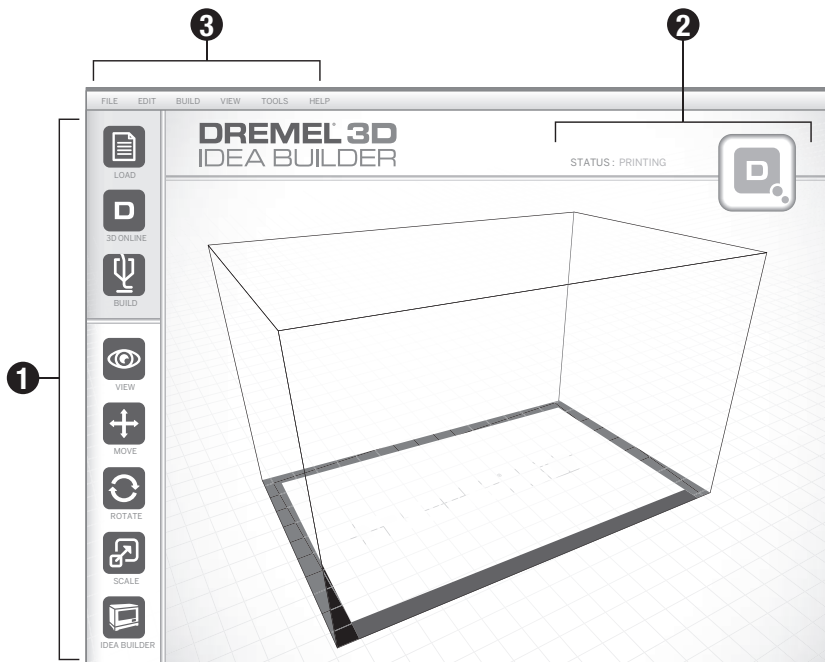
 - d. Cliquez sur SUIVANT (« NEXT ») pour lancer l'assistant de configuration. L'assistant de configuration du logiciel Dremel 3D vous guidera tout au long de l'installation du logiciel sur votre ordinateur. Cliquez sur SUIVANT (« NEXT ») pour lancer l'assistant de configuration.
4. Créez un compte de constructeur Dremel sur Dremel3D.com afin de commencer à télécharger des modèles Dremel 3D20.

CONNEXION DU CÂBLE USB

1. Assurez-vous que l'interrupteur de marche-arrêt est dans la position de coupure (off).
2. Branchez votre équipement Dremel 3D20 dans l'ordinateur avec le câble USB.
3. Ouvrez le logiciel.
4. Mettez votre équipement Dremel 3D20 en marche en utilisant l'interrupteur pour synchroniser votre ordinateur avec votre équipement Dremel 3D20.



PRÉSENTATION GÉNÉRALE DU LOGICIEL DE DREMEL



ICÔNES DE LA BARRE D'OUTILS

Les icônes de la barre d'outils dans le logiciel Dremel 3D vous permettent de charger, partager, construire, voir, déplacer, faire tourner et mettre à l'échelle vos objets.

Chargement – Cliquez sur Charger (« Load ») et sélectionnez un fichier parmi les fichiers de modèles téléchargés depuis Dremel3D.com. Le modèle que vous avez sélectionné apparaîtra sur l'écran d'accueil de l'équipement Dremel 3D20. L'écran d'accueil du logiciel est une simulation de la plateforme de construction de votre équipement Dremel 3D20.

Stockage 3D (« 3D Store ») – Cliquez sur Stockage 3D pour vous connecter à Dremel3D.com avec votre navigateur Internet par défaut.

Construction – Le logiciel Dremel 3D vous donne la capacité de sélectionner des paramètres de qualité de construction. Ceci vous permet de personnaliser à la fois la qualité de construction et le temps de construction.

- Option d'exportation** – Cette option vous permet d'enregistrer votre fichier de modèle sur votre lecteur local ou sur votre lecteur de mémoire portable afin de pouvoir reprendre la construction ultérieurement.
- Options de résolution** – Les modèles réglés sur la résolution standard seront construits en utilisant les paramètres par défaut. La résolution « standard » construira votre objet rapidement, et avec une surface de bonne qualité. Les modèles réglés sur la résolution « rapide »

seront construits plus rapidement, et avec des couches plus épaisses. Les modèles réglés sur la résolution « détaillée » seront construits plus lentement, et avec des couches plus fines.

- Support** – Cochez cette case pour faire construire votre objet avec des structures de support. Le logiciel Dremel 3D20 produira automatiquement des supports pour les sections en saillie de votre objet. Les supports sont faciles à retirer après que votre objet construit aura été retiré de la plateforme de construction.

Visionnement – Changez la manière dont vous regardez l'écran d'accueil de votre équipement Dremel 3D20 en choisissant l'un des six angles de visionnement possibles.

CONSEIL : vous pouvez voir l'écran d'accueil de votre équipement Dremel 3D20 depuis n'importe quel angle en cliquant sur le côté droit de votre souris et en déplaçant la souris. Vous pouvez également appuyer sur la molette pour avoir une vue plus rapprochée ou plus éloignée.

Déplacement – Changez l'emplacement de votre objet sur la plateforme de construction en utilisant le positionnement des axes des X, des Y et des Z. Vous pouvez également centrer votre objet dans la zone de construction et vous assurer que votre objet est bien situé sur la plateforme. Vous pouvez choisir de saisir une valeur de positionnement sur un axe personnalisé.

X	Déplace le modèle vers la gauche ou vers la droite de la zone de construction.
Y	Déplace le modèle vers l'avant ou vers l'arrière de la zone de construction.
Z	Déplace le modèle vers le haut ou vers le bas de la plateforme de construction.

- Sur la plateforme** – Place le modèle sur la plateforme de construction.
- Centrage** – Centre le modèle sur la surface de construction 3D.
- Réinitialisation** – Réinitialise la position du modèle pour remettre celui-ci dans sa position initiale.

Rotation – Change l'orientation de votre objet sur la plateforme de construction en utilisant le positionnement des axes des X, des Y et des Z. Vous pouvez choisir de faire tourner votre objet de +/- 90 degrés ou saisir une valeur personnalisée pour le positionnement sur l'axe. Vous pouvez réinitialiser le modèle pour le remettre dans son orientation initiale.

Mise à l'échelle – Changez la taille de votre objet sur la plateforme de construction en utilisant le positionnement sur les axes des X, des Y et des Z. Vous pouvez choisir de saisir une valeur de grossissement personnalisée sur les axes des X, des Y et des Z. Vous pouvez également agrandir votre objet par un certain pourcentage par rapport à sa conception initiale.

X	Fait tourner le modèle vers l'avant de la zone de construction ou l'en éloigne.
Y	Fait tourner le modèle vers la gauche ou la droite de la zone de construction.
Z	Fait tourner le modèle dans le sens des aiguilles d'une montre ou dans le sens contraire des aiguilles d'une montre sur la zone de construction.

- Maximisation** – Mettez le modèle uniformément à l'échelle jusqu'à la taille la plus grande possible pour la construction.
- Réinitialisation** – Annulez tous les changements d'échelle. Le modèle retournera à sa taille initiale.

CONSEIL : si votre objet a été conçu en utilisant des pouces (unités anglo-saxonnes), vous pouvez effectuer une conversion en unités métriques (mm) en agrandissant votre objet de 2540 %.

Constructeur d'idées – Vérifiez le statut de votre équipement Dremel 3D20. Tant que votre équipement Dremel 3D20 sera connecté à votre ordinateur, vous pourrez voir si votre équipement Dremel 3D20 est prêt à construire ou est en train de construire un objet. Vous pouvez également voir la température de votre extrudeuse.

ÉTAT D'AVANCEMENT DE LA CONSTRUCTION

Le logiciel Dremel 3D vous indique continuellement quelle est la situation de votre équipement Dremel 3D20.

- Le panneau du haut affiche l'état d'avancement de votre objet et la situation de votre équipement Dremel 3D20.
- Le cercle d'état d'avancement situé dans le coin supérieur droit fournit une représentation graphique de votre progression.

Menu Fichier (« File »)

- Charger un fichier (« Load File »)** – Sélectionnez cette option pour charger un fichier de modèle (.STL ou .3dremel) depuis votre ordinateur ou un dispositif de stockage externe connecté à votre ordinateur. Après avoir chargé le fichier de modèle, vous pouvez commencer à modifier le fichier selon vos désirs.

REMARQUE : vous ne pouvez pas charger un fichier de modèle sur votre ordinateur depuis une carte SD connectée à votre équipement Dremel 3D20. La carte SD doit être connectée directement à votre ordinateur.

- Enregistrer la plateforme de construction (« Save Build Platform »)** – Enregistre tous les objets et la configuration de la plateforme de construction actuelle dans un fichier .3dremel. Sélectionnez cette option pour enregistrer un fichier de modèle sur votre ordinateur ou un dispositif de stockage extérieur connecté à votre ordinateur.

REMARQUE : vous ne pouvez pas enregistrer un fichier de modèle sur une carte SD connectée à votre équipement Dremel 3D20. La carte SD doit être connectée directement à votre ordinateur.

- Enregistrer sous... (« Save as... »)** – Enregistre la plateforme de construction actuelle avec un nouveau nom. Ceci permet de ne pas écraser le fichier .3dremel d'origine.
- Exemples** – Sélectionnez cette option pour voir une liste des fichiers de modèles gratuits qui sont inclus avec votre logiciel Dremel 3D. Ces fichiers de modèles sont d'excellents échantillons construits pour assurer que votre équipement Dremel 3D20 fonctionne correctement.
- Fichiers récents (« Recent Files »)** – Sélectionnez cette option pour voir une liste des fichiers de modèles que vous avez regardé récemment.
- Préférences** – Sélectionnez cette option pour régler la langue de votre logiciel Dremel 3D et pour changer le paramètre de mise à jour automatique.
- Quitter** – Pour fermer le logiciel Dremel 3D, cliquez sur le « X » dans le coin supérieur droit. Si vous avez un fichier de modèle ouvert, le logiciel vous demandera si vous souhaitez enregistrer votre fichier de modèle avant de fermer le logiciel.

Menu Édition

- Annuler (« Undo »)** – Sélectionnez cette option pour annuler la modification la plus récente que vous avez apportée à votre fichier de modèle. Le fait de sélectionner cette option à de multiples reprises vous permettra de continuer à annuler les modifications dans l'ordre contraire de celui dans lequel elles ont été effectuées.
- Rétablir (« Redo »)** – Sélectionnez cette option pour rétablir la modification la plus récente que vous avez annulée dans votre fichier de modèle. Le fait de sélectionner cette option à de multiples reprises vous permettra de continuer à rétablir les modifications dans l'ordre contraire de celui dans lequel elles ont été effectuées.
- Sélectionner tout (« Select All »)** – Sélectionnez cette option pour sélectionner tous les fichiers de modèles que vous avez chargés sur l'écran d'accueil pour la construction 3D.
- Reproduire (« Duplicate »)** – Sélectionnez

cette option pour reproduire un fichier de modèle sélectionné.

- e. **Effacer (« Delete »)** – Sélectionnez cette option pour effacer un fichier de modèle sélectionné.

Menu Construction (« Build »)

REMARQUE : votre équipement Dremel 3D20 doit être mis sous tension pour qu'il puisse être reconnu.

- a. **Déconnecter** – Sélectionnez cette option pour déconnecter votre équipement Dremel 3D20 de votre ordinateur.
- b. **Construire (« Build »)** – Sélectionnez cette option pour convertir votre travail en un fichier apte à la construction. Il vous sera demandé d'enregistrer votre modèle dans un format de fichier .3dremel pour que votre équipement Dremel 3D20 puisse commencer la construction.

Menu Visionnement (« View »)

- a. Changez votre vue de l'écran d'accueil pour la construction 3D pour le regarder avec l'un des sept angles de visionnement possibles.
- b. **Montrer l'esquisse du modèle (« Show Model Outline »)** – Cette vue mettra en lumière les surfaces extérieures du fichier de votre modèle afin d'améliorer le visionnement de votre modèle.
- c. **Montrer les saillies aux angles très prononcés (« Show Steep Overhang »)** – Cette vue mettra en lumière les parties de votre objet ayant des angles très prononcés qui peuvent nécessiter des supports.

Menu Outils (« Tools »)

- a. **Tableau de commande (« Control Panel »)** – Sélectionnez cette option pour effectuer des diagnostics manuels de votre équipement Dremel 3D20. Votre équipement Dremel 3D20 doit être connecté à votre ordinateur pour que vous puissiez voir ce menu.
- b. **Mise à jour du micrologiciel (« Update Firmware »)** – Cette option vous permet de mettre à jour votre équipement Dremel 3D20 avec le firmware le plus récent. Pour mettre à jour le firmware de l'équipement Dremel 3D20, connectez un cordon USB à l'ordinateur et à l'équipement Dremel 3D20. Cliquez sur la dernière version du firmware et choisissez Mettre à jour (« Upload »). Le firmware se mettra à jour sur l'équipement Dremel 3D20. Une fois la mise à jour du firmware effectuée avec succès, vous devrez réarmer (éteindre et rallumer) l'équipement.

Remarque : les mises à jour du firmware seront téléchargées automatiquement lorsque le logiciel Dremel 3D sera mis en marche. Le système vous fera savoir qu'une nouvelle version du firmware est disponible.

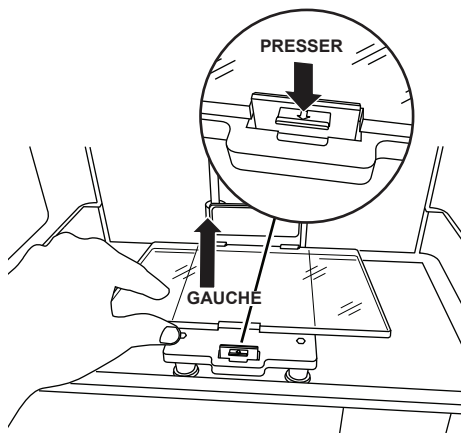
Menu Aide (« Help »)

- a. **Contenu de l'aide (« Help Contents »)** – Sélectionnez cette option pour être dirigé vers le site www.Dremel3D.com où vous trouverez des fonctions d'aide et de support technique.
- b. **Rechercher les mises à jour (« Check for Update »)** – Sélectionnez cette option pour rechercher manuellement des mises à jour du micrologiciel et du logiciel.
- c. **À propos de (« About »)** – Sélectionnez cette option pour passer en revue la version actuelle du logiciel que vous utilisez pour Dremel 3D.

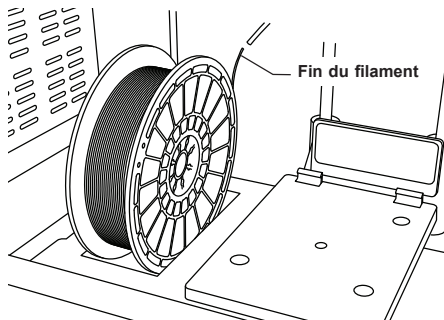
PRÉPAREZ-VOUS EN VUE DE LA CONSTRUCTION

ATTENTION OBSERVEZ TOUS LES AVERTISSEMENTS ET TOUTES LES CONSIGNES DE SÉCURITÉ LORSQUE VOUS UTILISEZ L'ÉQUIPEMENT DREMEL 3D20. SANS CELA, VOUS RISQUERIEZ DE CAUSER UN INCENDIE, DES DOMMAGES À L'ÉQUIPEMENT, DES DOMMAGES À D'AUTRES BIENS OU DES BLESSURES.

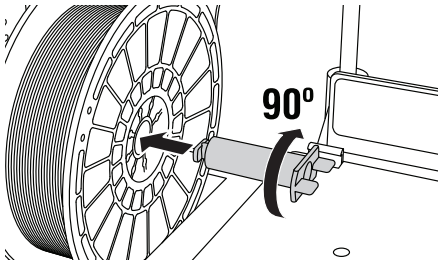
- 1. Assurez-vous que l'interrupteur est dans la position de coupure (off).
- 2. Retirez le couvercle de votre équipement Dremel 3D20 pour pouvoir accéder plus facilement à l'extrudeuse et à la plateforme de construction.
- 3. Si la plateforme de construction est installée, retirez-la en appuyant sur la pince de fixation située à l'avant de la plateforme de construction et en soulevant la plateforme de la base.



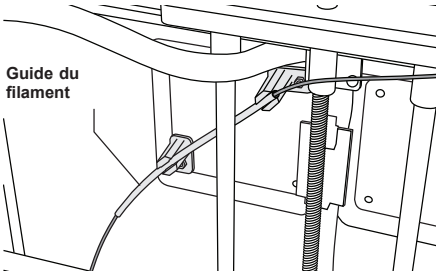
- 4. Montez la bobine de filament sur le porte-bobine et sécurisez au moyen du dispositif de blocage de la bobine.
 - a. Placez la bobine de filament sur le porte-bobine de telle façon que la bobine soit alimentée depuis le bas en direction de l'arrière de l'équipement Dremel 3D20.



- b. Insérez le dispositif de blocage de la bobine dans le porte-bobine et faites-le tourner de 90 degrés pour le verrouiller en place.



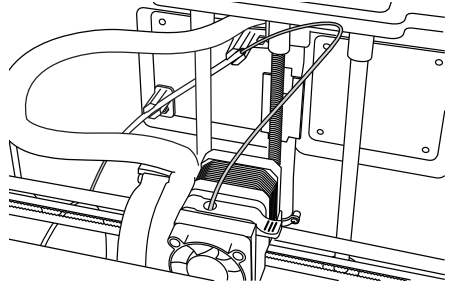
5. Enfilez le filament à travers le tube de guidage du filament. Le filament peut alors être inséré dans l'admission de l'extrudeuse (Image 8-10 du mode d'emploi). Ceci assurera que la résistance rencontrée par l'extrudeuse lors de la construction est minimale.



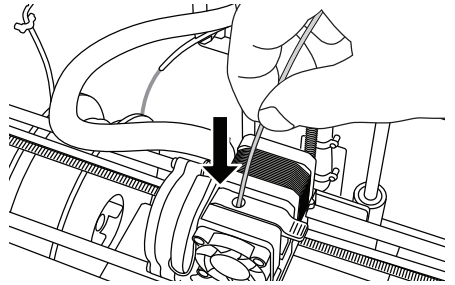
6. Placez le ruban de construction au-dessus de la plateforme de construction.



7. Installez la plateforme de construction en utilisant la pince de fixation de la plateforme de construction.
 8. Branchez le cordon d'alimentation dans la prise de courant et appuyez sur le bouton de mise en marche (il faudra attendre à peu près 30 secondes pour que l'équipement Dremel 3D20 ait chauffé suffisamment).
 9. Touchez « Outils » (« Tools ») sur l'écran tactile de votre équipement Dremel 3D20, puis « Filament », et enfin Charger le filament (« Load Filament »).
 10. Insérez le filament provenant du tube de guidage du filament dans l'orifice d'admission de l'extrudeuse (en haut). Touchez « Suivant » (« Next »).



11. Votre équipement Dremel 3D20 commencera alors à chauffer l'extrudeuse. L'écran d'affichage tactile de votre équipement Dremel 3D20 vous fera savoir quand l'extrudeuse sera « CHAUDE » (« Hot ») et prête pour le chargement.
 12. Une fois que votre équipement Dremel 3D20 sera prêt à commencer l'extrusion, guidez doucement le filament dans l'extrudeuse jusqu'à ce qu'il commence à avancer tout seul.



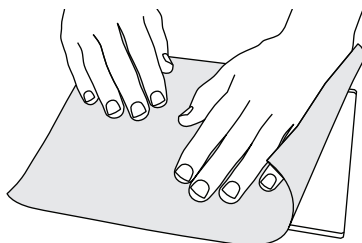
ATTENTION NE TOUCHEZ PAS LA POINTE DE L'EXTRUDEUSE PENDANT LE FONCTIONNEMENT DE L'ÉQUIPEMENT DREMEL 3D20 OU AVANT QU'IL SE SOIT REFROIDI À 60 °C (140 °F) AU MAXIMUM. UN CONTACT AVEC LA POINTE DE L'EXTRUDEUSE PENDANT LE FONCTIONNEMENT DE L'ÉQUIPEMENT OU APRÈS QU'IL SE SOIT ARRÊTÉ, MAIS AVANT QUE LA POINTE NE SOIT SUFFISAMMENT REFROIDIE, POURRAIT CAUSER DES BLESSURES.

13. Le filament sera alors attiré à l'intérieur de l'extrudeuse, et il commencera à en sortir depuis la pointe chauffée au bas de l'extrudeuse. Une fois que le filament aura été extrudé de la pointe chauffée, appuyez sur la flèche de retour pour achever le processus de chargement. Retirez le filament excessif en prenant les précautions nécessaires, notamment en ne touchant pas la pointe d'extrudeuse chaude.

REMARQUE : votre équipement Dremel 3D20 a été testé par le biais de la construction d'objets avant qu'il ne sorte de l'usine. Ces échantillons peuvent avoir été fabriqués avec un filament d'une couleur différente de celle du filament que vous utilisez. Par conséquent, une faible longueur de filament peut toujours se trouver à l'intérieur de l'extrudeuse. Lorsque vous chargez un filament pour la première fois, assurez-vous que tout le filament pouvant se trouver dans l'extrudeuse en soit bien sorti et que le filament de la couleur souhaitée soit uniformément visible.

MISE EN GARDE : faites particulièrement attention de ne pas endommager la pointe de l'extrudeuse lorsque vous enlevez les débris. L'équipement Dremel 3D20 ne fonctionnera pas correctement si la pointe de l'extrudeuse est endommagée, et il faudra la remplacer.

- Après que le filament aura été chargé, vérifiez qu'il n'y a pas de débris sur la pointe de l'extrudeuse. Retirez délicatement tous les débris éventuels avec la pince à becs pointus pour assurer la propreté de la pointe de l'extrudeuse.
- Si le filament n'est pas attiré à l'intérieur de l'extrudeuse ou s'il ne sort pas par la pointe de l'extrudeuse, touchez « Annuler » (« Cancel »). Puis touchez « Configurer » (« Setup ») et « Décharger le filament » (« Unload Filament »). Lorsque votre équipement Dremel 3D20 vous annoncera qu'il est prêt, retirez délicatement le filament du haut de l'extrudeuse et recommencez les étapes d'installation du filament ci-dessus. Consultez la section de recherche de la cause des problèmes pour plus de conseils.



- Touchez « Outils » (« Tools ») sur l'écran tactile de votre équipement Dremel 3D20, puis « Nivellement » (« Level »). (Voir page 67.)
- L'extrudeuse et la plateforme de construction se mettront en position pour mettre la plateforme de construction de niveau. Vous commencerez par niveler la section avant gauche de la plateforme de construction. Les trois boutons situés au-dessous de la plateforme de construction servent à élever ou abaisser la plateforme de construction sur la gauche, sur la droite et à l'arrière de la plateforme.

PRÉPARATION DE LA PLATEFORME DE CONSTRUCTION

ATTENTION NE TOUCHEZ PAS LA POINTE DE L'EXTRUDEUSE PENDANT LE FONCTIONNEMENT DE VOTRE ÉQUIPEMENT DREMEL 3D20 OU AVANT QU'IL NE SE SOIT REFROIDI JUSQU'À AU MOINS 60 °C (140 °F). UN CONTACT AVEC LA POINTE DE L'EXTRUDEUSE PENDANT LE FONCTIONNEMENT DE L'ÉQUIPEMENT OU APRÈS QU'IL SE SOIT ARRÊTÉ, MAIS AVANT QUE LA POINTE NE SOIT SUFFISAMMENT REFROIDIE, POURRAIT CAUSER DES BLESSURES.

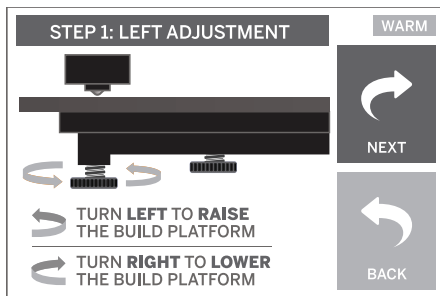
MISE EN GARDE : Avant chaque construction, assurez-vous que la plateforme de construction est couverte par du ruban de construction tel que spécifié par Dremel. L'emploi de ruban de construction incorrect pourrait endommager l'équipement et causer la construction d'objets de mauvaise qualité.

NIVELLEMENT DE LA PLATEFORME DE CONSTRUCTION

Il est important de mettre de niveau la plateforme de construction chaque fois que vous remplacez le ruban de construction ou que vous réinstallez la plateforme de construction afin de vous assurer que l'espacement entre la plateforme de construction et la tête de l'extrudeuse est uniforme. Veillez à éliminer toutes les bulles d'air se trouvant entre la plateforme de construction et le ruban de construction. L'absence de nivellement de la plateforme de construction ou de l'élimination des bulles d'air pourrait causer une construction incorrecte des objets.

Attendez que la tête de l'extrudeuse ait refroidi jusqu'à au moins 60 °C (140 °F) avant de mettre la plateforme de construction de niveau. La température de l'extrudeuse peut être contrôlée depuis l'écran tactile. (Voir page 64.)

- Assurez-vous que vous avez placé du ruban de construction sur la plateforme de construction. L'application du ruban de construction sur la plateforme de construction après la mise de niveau risquerait d'affecter l'uniformité de votre objet.



- Placez l'outil de nivellement entre l'extrudeuse et la plateforme de construction. Si l'outil de nivellement ne peut pas glisser entre l'extrudeuse et la plateforme de construction, ajustez le bouton approprié (en le faisant tourner dans le sens contraire des aiguilles d'une montre) jusqu'à ce que vous puissiez faire glisser l'outil de nivellement entre l'extrudeuse et la plateforme de construction avec une certaine résistance. Si l'outil de nivellement peut glisser trop facilement entre l'extrudeuse et la plateforme de construction, ajustez le bouton approprié (en le faisant tourner dans le sens des aiguilles d'une montre) jusqu'à ce que vous puissiez faire glisser l'outil de nivellement entre l'extrudeuse et la plateforme de construction avec une certaine résistance.

CONSEIL : du papier d'impression standard peut également être utilisé pour niveler la plateforme de construction de la même manière que l'outil de nivellement.

- Touchez « Suivant » (« Next ») pour déplacer la plateforme de construction vers le bouton de droite, et recommencez l'étape 4 ci-dessus.
- Touchez « Suivant » pour déplacer la plateforme de construction vers le bouton arrière, et recommencez l'étape 4 ci-dessus.
- Touchez « Finir » pour achever le processus de nivellement.
- Recommencez les étapes 1 à 6 ci-dessus pour assurer le nivellement parfait de la plateforme de construction.

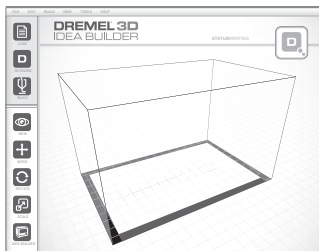


ATTENTION OBSERVEZ TOUS LES AVERTISSEMENTS ET TOUTES LES CONSIGNES DE SÉCURITÉ LORSQUE VOUS UTILISEZ L'ÉQUIPEMENT DREMEL 3D20. SANS CELA, VOUS RISQUERIEZ DE CAUSER UN INCENDIE, DES DOMMAGES À L'ÉQUIPEMENT, DES DOMMAGES À D'AUTRES BIENS OU DES BLESSURES.

REMARQUE : votre équipement Dremel 3D20 construira des échantillons avant qu'il ne sorte de l'usine. Ces échantillons peuvent avoir été fabriqués avec un filament d'une couleur différente de celle du filament que vous utilisez. Par conséquent, une faible longueur de filament peut toujours se trouver à l'intérieur de l'extrudeuse. Le début de votre premier objet aura peut-être une couleur de filament différente jusqu'à la transition à la couleur du filament que vous aurez introduit dans l'équipement.

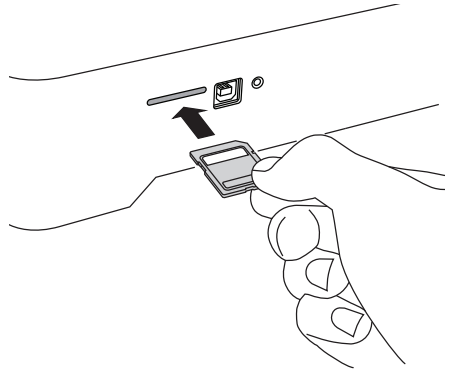
Vous disposez de deux options lors de la construction avec votre équipement Dremel 3D20 :

- Carte SD** – Construisez directement depuis la carte SD. La carte SD est fournie avec des fichiers de modèles installés à l'usine. Vous pouvez la brancher directement dans votre machine de construction et commencer à construire immédiatement. Par ailleurs, vous pouvez enregistrer de nouveaux fichiers .G3Drem sur votre carte SD depuis le logiciel Dremel 3D.
- Ordinateur** – Construisez directement depuis votre ordinateur par le biais du câble USB.



CONSTRUCTION DEPUIS LA CARTE SD

- Insérez la carte SD contenant votre modèle dans le port SD situé du côté droit de votre équipement Dremel 3D20. Votre équipement Dremel 3D20 est fourni avec une carte SD contenant des fichiers de modèles gratuits prêts à être construits. Par ailleurs, vous pouvez enregistrer les nouveaux fichiers .G3Drem sur votre carte SD depuis le logiciel Dremel 3D joint.



- Assurez-vous qu'une longueur suffisante de filament est chargée (voir page 72).

CONSEIL : vous pouvez déterminer si vous avez suffisamment de filament pour terminer votre objet préalablement au début de la construction en pesant le filament et la bobine, puis en soustrayant le poids de la bobine vide. Le logiciel Dremel 3D affichera le poids approximatif de chaque modèle.

REMARQUE : il n'est pas possible de modifier des fichiers de modèles directement sur l'équipement Dremel 3D20. Assurez-vous que vous construisez des fichiers .G3Drem lorsque vous construisez directement depuis la carte SD.

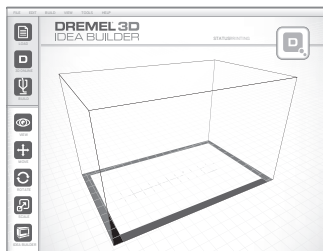
- Vérifiez que du ruban de construction a été appliqué et que la plateforme de construction a été nivelée (voir page 74).
- Touchez « Construire » (« Build ») sur l'écran tactile, puis l'option de Carte SD, et utilisez les flèches haut/bas pour défiler.
- Touchez le fichier de modèle que vous souhaitez construire.
- Votre équipement Dremel 3D20 commencera par aligner l'extrudeuse et la plateforme de construction. Votre équipement Dremel 3D20 déclenchera alors le processus de chauffage, ce qui peut prendre quelques minutes. Pendant le processus de chauffage, l'extrudeuse atteindra la température requise pour effectuer une construction correcte avec les filaments PLA. Une fois que cette température aura été atteinte, la construction de votre modèle commencera.
- Lorsque la construction de l'objet sera terminée, votre écran tactile affichera « Objet terminé » (« Object finished »). Touchez la case à cocher pour confirmer.
- Attendez que l'écran tactile indique que la température de l'extrudeuse est « FROIDE » (« Cool ») pour retirer l'objet. Voir la rubrique consacrée au retrait de l'objet de la plateforme de construction ci-dessous pour les instructions sur le retrait des objets.

ANNULATION DE VOTRE OBJET SUR L'ÉQUIPEMENT DREMEL 3D20

Pour annuler votre objet pendant le processus de chauffage ou de construction, touchez le bouton « ARRÊT » (« STOP ») sur l'écran tactile. L'écran suivant affichera la question « Annuler la construction maintenant ? » (« Cancel build now? ») Touchez

la case « Oui » (« Yes ») pour annuler ou la case « Non » pour rétablir le processus de construction. Attendez que l'extrudeuse et la plateforme de construction aient refroidi suffisamment avant d'engager le bras ou la main à l'intérieur de la zone de construction.

CONSTRUCTION DEPUIS VOTRE ORDINATEUR



CONSTRUCTION DIRECTEMENT DEPUIS VOTRE ORDINATEUR

1. Installez le logiciel Dremel 3D sur votre ordinateur. Voir la rubrique « Installation et enregistrement du logiciel » à la page 69 pour tous détails. Assurez-vous que vous disposez des droits administratifs nécessaires sur votre ordinateur pour pouvoir installer le logiciel Dremel 3D.
2. Connectez votre équipement Dremel 3D20 à votre ordinateur au moyen du câble USB fourni avec votre équipement Dremel 3D20.
3. Assurez-vous qu'une longueur suffisante de filament est chargée (voir page 72).

CONSEIL : vous pouvez déterminer si vous avez suffisamment de filament pour terminer votre objet préalablement au début de la construction en pesant le filament et la bobine, puis en soustrayant le poids de la bobine vide. Le logiciel Dremel 3D affichera le poids approximatif de chaque modèle.

4. Préparez la plateforme de construction (voir page 74).
5. Ouvrez le logiciel Dremel 3D. Votre ordinateur est désormais connecté à votre équipement Dremel 3D20.
6. Cliquez « Charger » (« Load ») et sélectionnez un fichier parmi les fichiers de modèles téléchargés de Dremel3d.com ou un fichier STL ou G3DREM approuvé. L'objet que vous avez sélectionné apparaîtra sur l'écran d'accueil du logiciel Dremel 3D. L'écran d'accueil du logiciel Dremel 3D est une simulation de la plateforme de construction de votre équipement Dremel 3D20.
7. Sur le logiciel, vous pouvez voir, déplacer, faire tourner et mettre à l'échelle votre objet pour assurer l'obtention du résultat optimum.
8. Pour préparer votre fichier de modèle, cliquez sur « Construire » (« Build ») et enregistrez votre fichier de modèle. Tout de suite après que vous aurez terminé la configuration de l'objet à construire et effectué l'enregistrement du fichier, le logiciel Dremel 3D commencera à préparer votre fichier de modèle.
9. Après que votre fichier de modèle aura été dûment

préparé, cliquez sur « Construire » (« Build ») pour commencer le processus de construction.

- a. Si le logiciel Dremel 3D n'a pas encore détecté votre équipement Dremel 3D20, le système vous demandera de sélectionner le port USB qui est utilisé par votre équipement Dremel 3D20. Sélectionnez le port correct et cliquez sur « OK ».
 - b. Cliquez sur « Nouveau balayage » (« Rescan ») si le port USB que votre équipement Dremel 3D20 utilise n'est pas montré. Recommencez l'étape 10-a.
10. Votre équipement Dremel 3D20 commencera par aligner l'extrudeuse et la plateforme de construction. Votre équipement Dremel 3D20 déclenchera alors le processus de chauffage, ce qui peut prendre quelques minutes. Pendant le processus de chauffage, l'extrudeuse atteindra la température requise pour effectuer une construction correcte avec les filaments PLA. Une fois que cette température aura été atteinte, la construction de votre modèle commencera.
 11. Lorsque la construction de l'objet sera terminée, votre écran tactile affichera « Objet terminé » (« Object finished »). Touchez la case à cocher pour confirmer.
 12. Attendez que l'écran tactile indique que la température de l'extrudeuse est « FROIDE » (« Cool») pour retirer l'objet. Voir la rubrique consacrée au retrait de l'objet de la plateforme de construction ci-dessous pour les instructions sur le retrait des objets.

ANNULATION DE VOTRE OBJET SUR L'ÉQUIPEMENT DREMEL 3D20

Pour annuler votre objet pendant le processus de chauffage ou de construction, touchez le bouton « ARRÊT » (« STOP ») sur l'écran tactile. L'écran suivant affichera la question « Annuler la construction maintenant ? » (« Cancel build now? ») Touchez la case « Oui » (« Yes ») pour annuler ou la case « Non » pour rétablir le processus de construction. Attendez que l'extrudeuse et la plateforme de construction aient refroidi suffisamment avant d'engager le bras ou la main à l'intérieur de la zone de construction.

RETRAIT DE VOTRE OBJET

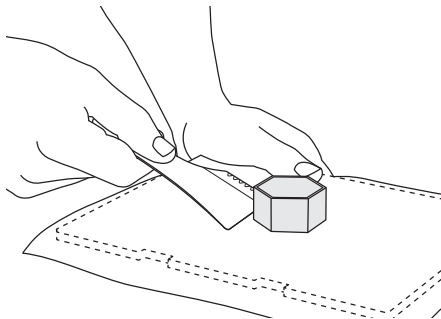
RETRAIT DE VOTRE OBJET DE LA PLATEFORME DE CONSTRUCTION

ATTENTION PORTEZ DES ÉQUIPEMENTS DE PROTECTION INDIVIDUELLE. L'UTILISATION D'ÉQUIPEMENTS DE PROTECTION INDIVIDUELLE TELS QUE DES GANTS RÉSISTANTS À LA CHALEUR ET DES LUNETTES DE SÉCURITÉ RÉDUIRA LES RISQUES DE BLESSURE.

ATTENTION PRENEZ CONSCIENCE DE LA POSITION DE VOTRE CORPS LORSQUE VOUS UTILISEZ DES OUTILS MANUELS POUR RETIRER DES OBJETS DE LA PLATEFORME DE CONSTRUCTION. UN DÉRAPAGE SOUDAIN D'UN TEL OUTIL COMBINÉ AVEC UNE POSITION INCORRECTE DU CORPS PENDANT LE RETRAIT DE L'OBJET DE LA PLATEFORME DE CONSTRUCTION POURRAIT CAUSER DES BLESSURES.

MISE EN GARDE : Évitez de rayer la plateforme de construction lorsque vous retirez des objets. Des rayures sur la plateforme de construction entraîneront la création d'objets inappropriés.

1. Attendez que l'extrudeuse ait refroidi avant de tenter de retirer votre objet.
2. Alors que l'objet y est toujours fixé, retirez la plateforme de construction de la zone de construction.
3. Décollez votre objet de la plateforme de construction. Si nécessaire, utilisez avec précaution l'outil de retrait d'objets pour retirer l'objet de la plateforme de construction. Si vous le désirez, détachez le ruban de construction de la plateforme de construction tout en séparant l'objet de la plateforme de construction. Le ruban de construction pourra ensuite être retiré de l'objet.



RETRAIT DES SUPPORTS (SI NÉCESSAIRE)

Utilisez une petite pince à becs pointus pour retirer les supports à des endroits où les supports sont à l'intérieur de votre objet et sont difficiles à atteindre.

DÉCHARGEMENT ET REMPLACEMENT DE LA BOBINE DE FILAMENT

MISE EN GARDE : Ne changez pas la couleur du filament ou de la bobine pendant la construction. Ceci annulerait la construction de l'objet et pourrait endommager l'extrudeuse.

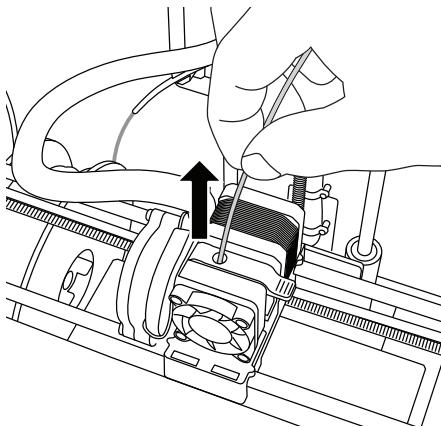
1. Touchez « Configurer » (« Setup ») sur l'écran tactile de votre équipement Dremel 3D20, puis « Filament ».
2. Touchez « Décharger » (« Unload »).
3. Votre équipement Dremel 3D20 commencera à chauffer l'extrudeuse et émettra une tonalité d'alerte quand il sera prêt à décharger le filament.

ATTENTION NE TIREZ PAS SUR LE FILAMENT POUR LE FAIRE SORTIR AVANT DE VOIR DES INSTRUCTIONS À CET EFFET SUR L'ÉCRAN TACTILE. CECI POURRAIT ENDOMMAGER L'EXTRUDEUSE.

ATTENTION NE TOUCHEZ PAS LA POINTE DE L'EXTRUDEUSE PENDANT LE FONCTIONNEMENT DE L'ÉQUIPEMENT DREMEL 3D20 OU AVANT QU'IL SE SOIT REFROIDI À 60 °C (140 °F) AU MAXIMUM. UN CONTACT AVEC LA POINTE DE L'EXTRUDEUSE PENDANT LE FONCTIONNEMENT DE L'ÉQUIPEMENT OU APRÈS

QU'IL SE SOIT ARRÊTÉ, MAIS AVANT QUE LA POINTE NE SOIT SUFFISAMMENT REFROIDIE, POURRAIT CAUSER DES BLESSURES.

4. Après avoir entendu la tonalité d'alerte, tirez doucement sur le filament pour le faire sortir de l'extrudeuse jusqu'à ce qu'il soit complètement séparé de l'extrudeuse.



REMARQUE : une faible longueur de filament restera peut-être à l'intérieur de l'extrudeuse. Le début de votre prochain objet pourra incorporer un peu de cette couleur de filament jusqu'à la transition à la couleur du filament que vous aurez choisie. Laissez le filament de remplacement s'extruder complètement avant de commencer à construire votre nouvel objet afin d'assurer une couleur uniforme.

5. Si le filament ne peut pas être retiré facilement de l'extrudeuse, touchez la flèche de retour. Touchez « Configuration » (« Setup »), puis « Préchauffage » (« Preheat »). Sélectionnez la température maximum et attendez un quart d'heure pour que le système chauffe suffisamment. Au bout d'un quart d'heure de chauffage, touchez le bouton « Flèche » (« Arrow ») et recommencez les étapes 1 à 5 ci-dessus.

REMARQUE : après le retrait du filament de l'extrudeuse, une faible longueur de filament sera peut-être toujours visible sur la pointe de l'extrudeuse. Les débris de filament restants doivent être retirés en utilisant l'outil de désobstruction afin d'éviter un engorgement. Pour retirer ces débris de filament, insérez la pointe de l'outil de désobstruction dans l'orifice d'admission de l'extrudeuse (en haut) ; s'il reste du filament, il sortira alors de la pointe de l'extrudeuse.

6. Voir les instructions de la rubrique « Installation du filament » à la page 72 pour installer une bobine de filament de remplacement.

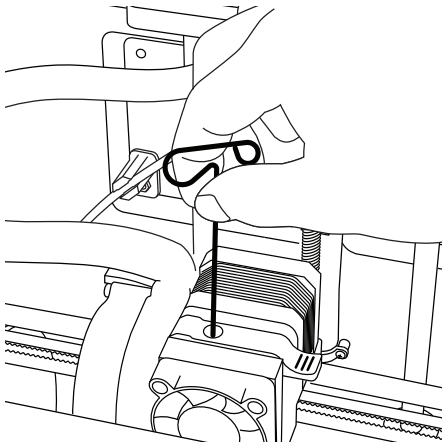
MAINTENANCE ET RÉPARATIONS

Problème	Cause	Action corrective
La tête de l'extrudeuse a tendance à construire de façon décentrée.	L'équipement Dremel 3D20 ne repère plus l'emplacement exact de la tête de l'extrudeuse, et il ne parvient pas à construire correctement.	Le retour de la tête de l'extrudeuse à sa position initiale ré-étalonnera l'équipement Dremel 3D20. Annulez votre objet, dégagez la plateforme de construction, remettez la tête de l'extrudeuse dans la position initiale et recommencez la construction de l'objet.
Le filament PLA ne s'extrude pas ou n'adhère pas correctement au ruban de construction.	Ceci peut être causé par le fait que la plateforme de construction n'a pas été mise de niveau avec la tête de l'extrudeuse.	Le nivellement de la plateforme de construction alignera la tête de l'extrudeuse et assurera la construction d'un objet de meilleure qualité. Annulez votre objet, dégagez la plateforme de construction, réglez le niveau de la plateforme de construction et recommencez la construction de l'objet.
Le logiciel Dremel 3D ou l'ordinateur s'est bloqué pendant l'utilisation.	Il arrive que le logiciel ne soit pas aussi intelligent que vous et qu'il se bloque.	Enregistrez tous vos fichiers ouverts si cela est possible puis éteignez et remettez en marche le logiciel Dremel 3D ou votre ordinateur.
L'équipement Dremel 3D s'est bloqué avant le début de la construction de l'objet.	L'équipement Dremel 3D20 peut avoir reçu des instructions contradictoires.	Mettez l'équipement hors tension, attendez 30 secondes et remettez-le sous tension.
Le fichier 3D se charge avec un avertissement indiquant que le fichier n'est pas fermé.	Le fichier 3D n'a pas été conçu correctement et il a des surfaces ouvertes.	Ouvrez le fichier 3D dans un logiciel d'édition CAO afin de fermer toutes les surfaces ouvertes.
Le matériau de support ne se détache pas pendant le nettoyage et la qualité finale de l'objet est affectée négativement.	L'orientation de la pièce n'est pas optimisée.	Réorientez la position du fichier 3D dans le logiciel Dremel 3D afin de minimiser le matériau de support ou placez le matériau de support sur une surface non critique.
Filaments excessivement enchevêtrés à la fin de la construction.	Une couche de votre objet n'a pas adhéré correctement, le modèle a été enregistré de telle sorte que seulement une partie minime de la surface soit en contact avec la plateforme de construction ou l'objet a été construit en flottant au-dessus de la plateforme de construction, sans support sélectionné.	Utilisez la fonction de prévisualisation dans le logiciel Dremel 3D pour voir la hauteur et la position de la première couche. Utilisez des supports pour construire si nécessaire.
La pièce n'est construite qu'à moitié.	Il n'y avait plus assez de filament. Il y a eu une obstruction du filament pendant la construction.	Remettez un nouveau filament et recommencez la construction. Voir la rubrique « Aucun filament ne sort ».
Aucun filament ne sort.	Extrudeuse obstruée.	Utilisez l'outil de désobstruction pour pousser le filament. Contactez le service d'assistance à la clientèle.
L'extrudeuse ne revient pas dans sa position initiale.	Défaillance du fil de l'interrupteur de fin de course	Contactez le service d'assistance à la clientèle.
Couches de plastique filandreux ou s'effilochant sur les parties en saillie à angle très prononcé.	Les parties en saillie de l'objet sont trop éloignées ou leur angle est trop prononcé (angle <45 degrés)	Construire avec des supports

DÉSOBSTRUCTION DE L'EXTRUDEUSE

Utilisez l'outil de désobstruction pour nettoyer l'extrudeuse et désobstruer le filament accumulé.

1. Attendez que l'extrudeuse chauffe, et insérez l'outil de désobstruction dans l'orifice d'admission de l'extrudeuse (en haut).
2. Les débris faisant obstruction seront poussés vers le bas et extrudés de la pointe de l'extrudeuse.



NETTOYAGE DE L'EXTÉRIEUR

Nettoyez l'extérieur de l'équipement 3D20 avec un tissu ne peluchant pas. Dégagez les surfaces extérieures de tous débris visibles.

Pour ne pas risquer d'endommager votre équipement Dremel 3D20, n'utilisez pas d'eau, de produits chimiques ou d'autres produits de nettoyage sur l'équipement 3D20.

NETTOYAGE DE LA POINTE DE L'EXTRUDEUSE

MISE EN GARDE : Faites particulièrement attention de ne pas endommager la pointe de l'extrudeuse lorsque vous nettoyez les débris. L'équipement Dremel 3D20 ne fonctionnera pas correctement si la pointe de l'extrudeuse est endommagée, et il faudra la remplacer.

ATTENTION NE TOUCHEZ PAS LA POINTE DE L'EXTRUDEUSE PENDANT LE FONCTIONNEMENT DE VOTRE ÉQUIPEMENT DREMEL 3D20 OU AVANT QU'IL NE SE SOIT REFROIDI JUSQU'À AU MOINS 60 °C (140 °F). UN CONTACT AVEC LA POINTE DE L'EXTRUDEUSE PENDANT LE FONCTIONNEMENT DE L'ÉQUIPEMENT OU APRÈS QU'IL SE SOIT ARRÊTÉ, MAIS AVANT QUE LA POINTE NE SOIT SUFFISAMMENT REFROIDIE, POURRAIT CAUSER DES BLESSURES.

En utilisant une petite pince à bords pointus, tirez sur tous les débris en plastique se trouvant sur la pointe de l'extrudeuse afin de les en détacher.

Si les débris sont récalcitrants, il faudra peut-être chauffer l'extrudeuse afin de ramollir suffisamment les débris pour pouvoir les en détacher.

NETTOYAGE DE L'ÉCRAN TACTILE

Essuyez l'écran tactile avec le tissu doux ne peluchant pas. Ne vaporisez pas de produits de nettoyage sur l'écran tactile.

MEILLEURES PRATIQUES

1. UTILISEZ TOUJOURS LE RUBAN DE CONSTRUCTION.
2. Vérifiez que votre plateforme de construction est de niveau avant de commencer à construire un nouvel objet.
3. Vérifiez que la bobine est installée correctement et qu'elle peut tourner librement.
4. Lorsque vous utilisez votre équipement Dremel 3D20 pour la première fois ou après avoir remplacé le filament, laissez cet équipement effectuer une extrusion jusqu'à ce que le matériau corresponde à la couleur du filament installé.
5. Il est important de surveiller votre équipement Dremel 3D20 quand il commence à construire un objet. Il est probable que les problèmes de construction éventuels surviendront au début du processus. Heureusement, c'est également le moment le plus approprié pour annuler la construction de l'objet, nettoyer la plateforme de construction et recommencer la construction de l'objet. Restez à côté de votre équipement Dremel 3D20 pendant le processus de construction.
6. Il est important de conserver l'emballage de votre équipement Dremel 3D20 étant donné que cela facilitera le reconditionnement et le transport de cet équipement si nécessaire.
7. Veillez à ranger les bobines de filament dans un environnement qui n'est ni trop humide, ni trop chaud. Il est recommandé de ne pas retirer la bobine de filament de son emballage étanche à l'air avant qu'il ne soit nécessaire de s'en servir.
8. Utilisez délicatement l'outil de retrait d'objets pour ne pas risquer d'endommager la plateforme de construction ou l'objet.
9. Dans la mesure du possible, il est souhaitable de localiser votre objet au centre de la plateforme de construction. Il est essentiel d'utiliser la meilleure orientation possible pour votre objet. Veillez à ce que votre objet soit situé sur la plateforme de construction et utilisez la meilleure orientation possible pour la construction.
10. Pour les parties en saillie à angle très prononcé (angle de moins de 45 degrés), il est recommandé d'utiliser un support pour la construction.
11. Pour ne pas risquer que le ruban de construction ne se détache pendant la construction, enveloppez le ruban de construction en dessous de la plateforme de construction.
12. Retirez toujours la plateforme de construction avant d'enlever l'objet.
13. Utilisez la fonction de positionnement initial avant de décharger et de charger une bobine de filament. Il est également recommandé de retirer la

- plateforme de construction avant de décharger ou de charger une bobine de filament.
- Un ponçage à basse vitesse est recommandé pour éviter le risque de refonte de l'objet.
 - Le logiciel Dremel 3D affichera le poids de chaque modèle. Vous pouvez déterminer si vous disposez de suffisamment de filament pour construire votre objet avant de commencer la construction en pesant le filament et la bobine, puis en soustrayant le poids de la bobine.

GARANTIE LIMITÉE DE DREMEL® POUR LES CONSOMMATEURS

Votre produit Dremel est garanti contre les vices de matériau ou de façon pendant une période d'un an à compter de la date d'achat. Si l'équipement Dremel 3D20 est utilisé à des fins commerciales, cette garantie ne s'appliquera que pendant 60 jours à compter de la date d'achat.

Dans l'hypothèse où le produit ne se conformerait pas à cette garantie écrite, veuillez procéder de la façon suivante :

- NE RAPPORTEZ PAS votre produit à l'endroit où vous l'avez acheté.
- Veuillez contacter le service d'assistance à la clientèle par le biais du site **www.dremel.com**.

MISE AU REBUT

La machine, les accessoires et les emballages doivent être triés pour un recyclage écologique.

SEULEMENT POUR LES PAYS DE L'UNION EUROPEENNE



Ne jetez pas votre appareil électroportatif avec les ordures ménagères!

Conformément à la directive européenne 2012/19/CE relative à la mise au rebut des équipements électriques et électroniques, et à sa transposition dans le droit national, les outils électroportatifs inutilisables doivent faire l'objet d'une collecte distincte et être mis au rebut d'une manière respectueuse pour l'environnement.

CONTACTER DREMEL

Pour plus d'informations sur la gamme de produits, le support technique et l'assistance téléphonique de la société Dremel, rendez-vous sur le site www.dremel.com.

Dremel Europe, P.O. Box 3267, 4800 DG Breda, Pays-Bas

Dremel
The Netherlands

2610Z07095 01/2015

www.dremel.com

All Rights Reserved